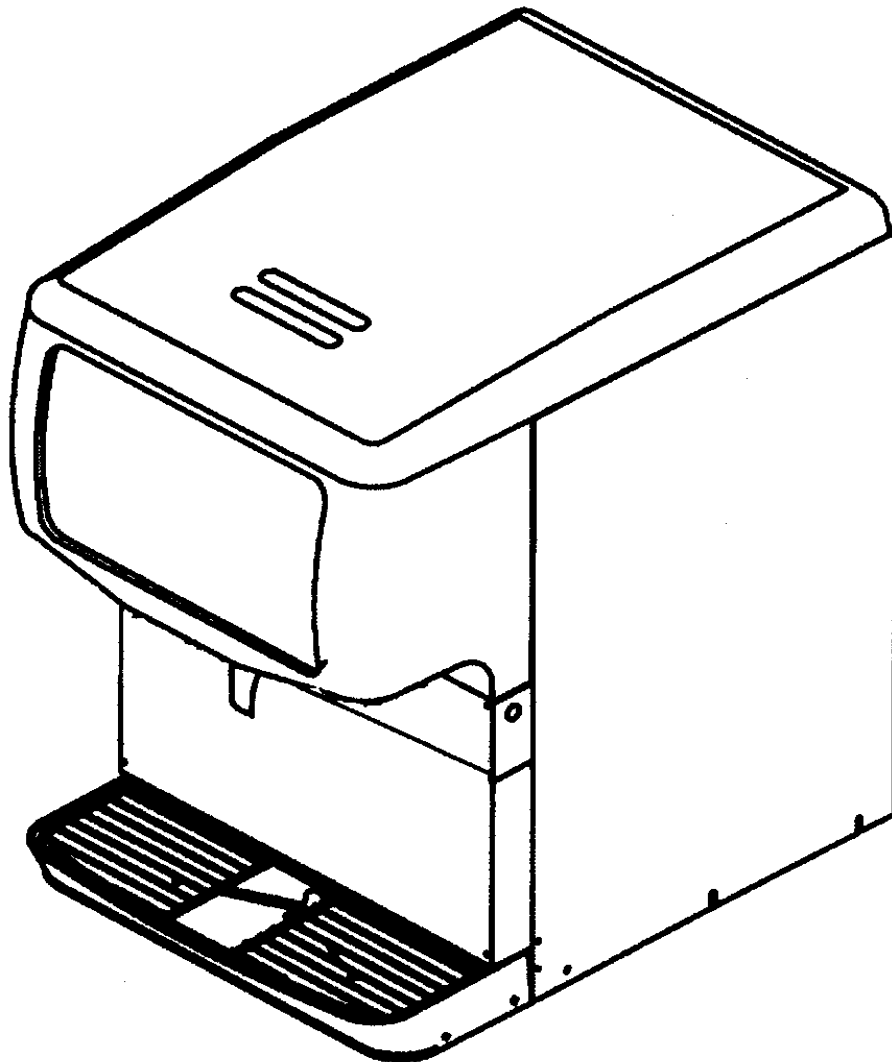




**SERVICE PARTS MANUAL
ICE ONLY DISPENSERS
MODELS IOD150, IOD200 AND IOD250**



Mile High Equipment
11100 East 45th Ave
Denver, Colorado 80239

Part Number 9081306-01

Print Date 03/03

IOD150, IOD200, IOD250 Dispenser



This parts list contains the service parts available for the IOD150-200-250 dispensers

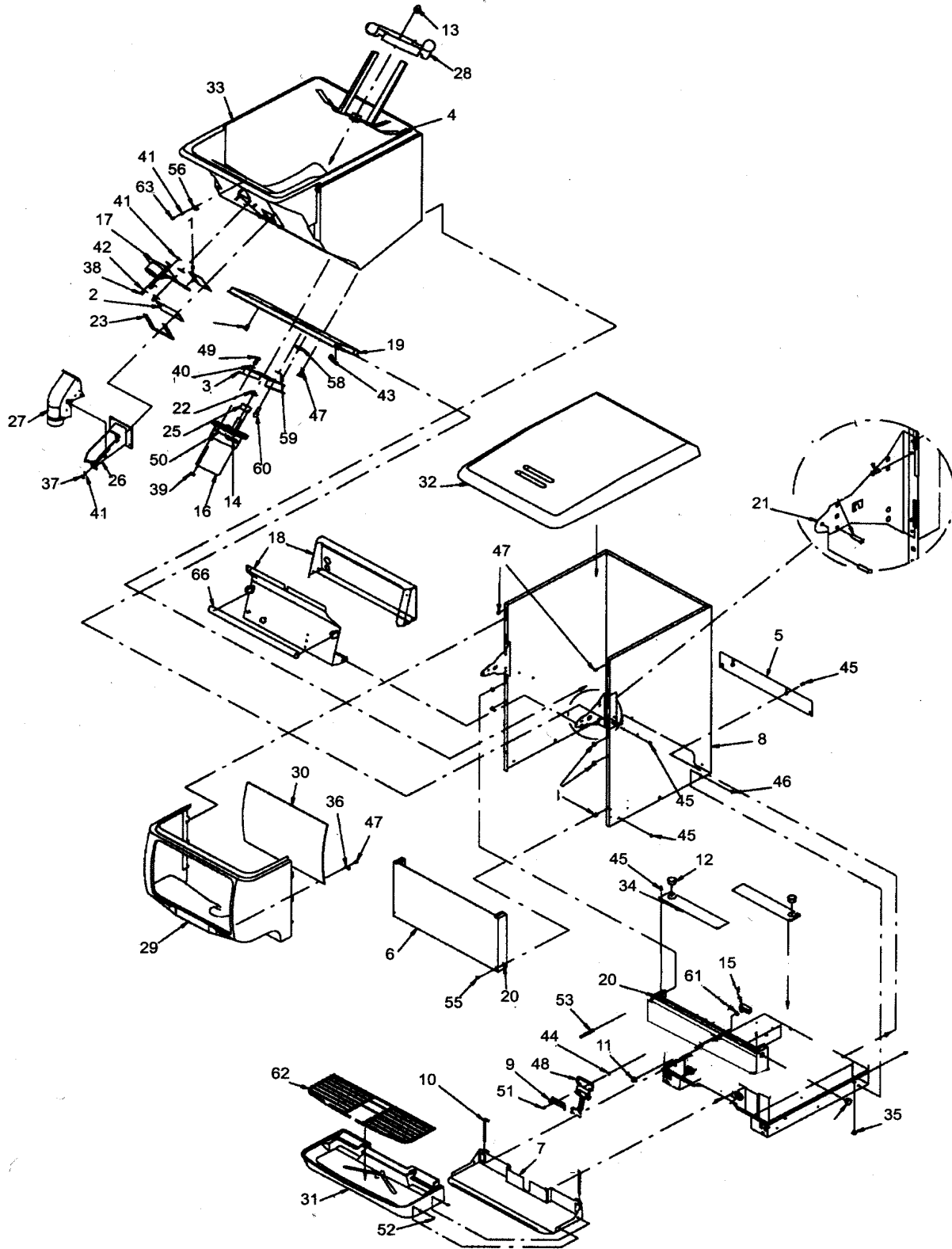
Check the model number on the data plate and refer to the correct listing for the specific component.

Check carefully that the correct part is identified and ordered.

Table of Contents	Page 1
Cabinet and Dispenser Part Numbers, IOD150	Page 2 - 3
Cabinet and Dispenser Part Numbers, IOD200 and IOD250	Page 4 - 5
Rotary Solenoid	Page 6
Electrical Box, IOD150	Page 7
Electrical Box, IOD200 and IOD250	Page 8
Wiring Diagram	Page 9

Ice-O-Matic
11100 East 45th Ave.
Denver Co. 80239
Parts Information (800) 423-3367 Extension 3159

IOD150, IOD200 and IOD250 Service Parts
IOD 150 Cabinet and Dispenser

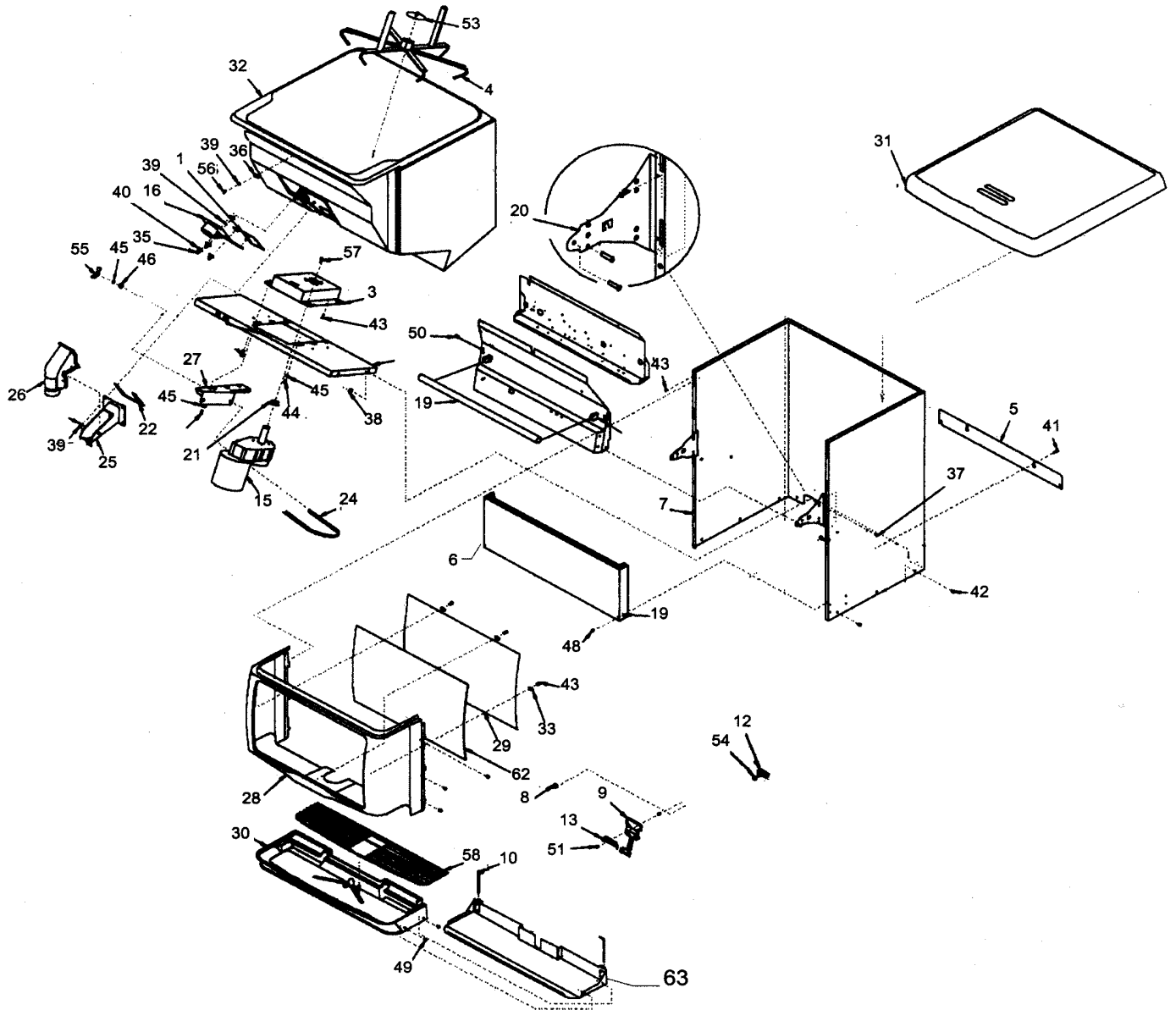


IOD150, IOD200 and IOD250 Service Parts
IOD 150 Cabinet and Dispenser



Item No.	Description	Part No.	Item No.	Description	Part No.
1	Gate Slide	1011342-12	34	Baffle	1011342-07
2	Gate Restrictor	1011342-144	35	Plug	1011342-62
3	Plate, Motor Mounting	1011342-145	36	Clip, White	1011342-63
4	Agitator Assy	1011342-06	37	Hex Nut, No. 10-32	1011342-76
5	Cover, Rear Wrapper	1011342-18	38	Hex Nut, No. 10-32, Nyloc	1011342-77
6	Lower Panel (F/Drip Tray)	1011342-141	39	Hex Nut, 1/4-20	1011342-78
7	Extension Assy, Drip Tray	1011342-05	40	Washer, .255 I.D.	1011342-79
8	Wrapper (ED 150)	1011342-17	41	Washer, No. 10, .219 I.D.	1011342-81
9	Retainer, Lever, Ice Dispense	1011342-13	42	Washer, .218 I.D.	1011342-83
10	Pin, Drip Tray Mounting	1011342-02	43	Hex Nut, No. 8-32	1011342-85
11	Boot, Switch	1011342-29	44	Insert, Threaded, No. 8-32	1011342-86
12	Snap Bushing	1011342-49	45	Machine Screw, Phil	1011342-89
13	Retainer, Agitator	1011342-03	46	Machine Screw, Phil	1011342-90
14	Agitator Motor Heater, 120 V	1011342-25	47	Sheet Metal Screw, Phil	1011342-91
15	Dispense Switch	1011342-26	48	Lever, Cup Dispense	1011342-08
16	Agitator Motor, 120 Volt	1011342-133	49	Machine Screw, Phil Rd Hd,	1011342-93
17	Solenoid Assembly, 120 Volt	1011342-38	50	Spring, Motor Heater	1011342-94
18	Electrical Box Ass'y, 120 V	1011342-128	51	Thread Forming Screw, Phil	1011342-140
19	Bracket, Motor Mounting	1011342-16	52	Clip, Push On	1011342-149
20	Washer, Captivating No. 8	1011342-103	53	Machine Screw, Phil	1011342-95
21	Hinge, Gusset	1011342-115	54	Hose Clamp, Worm	1011342-96
22	Seal, Agitator Motor Shaft	1011342-53	*55	Machine Screw, Phil	1011342-101
23	Gasket, Gate	1011342-54	56	Clip, Black	1011342-74
*24	Plug (120 Volt Models Only)	1011342-55	*57	Leg	1011342-104
25	Gasket, Motor Shaft	1011342-57	58	Receptacle, 1/4 Turn	1011342-98
26	Ice Chute	1011342-139	59	Retainer, 1/4 Turn	1011342-99
27	Cover, Ice Chute	1011342-69	60	Stud Wing Head, 1/4 Turn	1011342-100
28	Agitator Disk	1011342-73	61	Spacer, Switch	1011342-97
29	Merchandiser, S.S. (IOD 150)	1011342-11	62	Cup Rest	1011342-150
29	Merchandiser, Black (IOD 150)	1011342-64	63	Shoulder Screw, No. 8-32	1011342-111
30	Panel, Plexiglass, Inner	1011342-58	*64	Adapter, 1" Barb x 3/4 MPT	1011342-51
31	Drip Tray, Black , Insulated	1011342-72	*65	Adapter, 3/4 Soc x 3/4 FPT	1011342-50
32	Lid, Dispenser, Black	1011342-68	66	Bulb, 18" daylight	1011342-35
33	Hopper Assy., Foamed	1011342-56	67	Graphic IOD150 (Not Shown)	1011342-153
			*	Not shown	

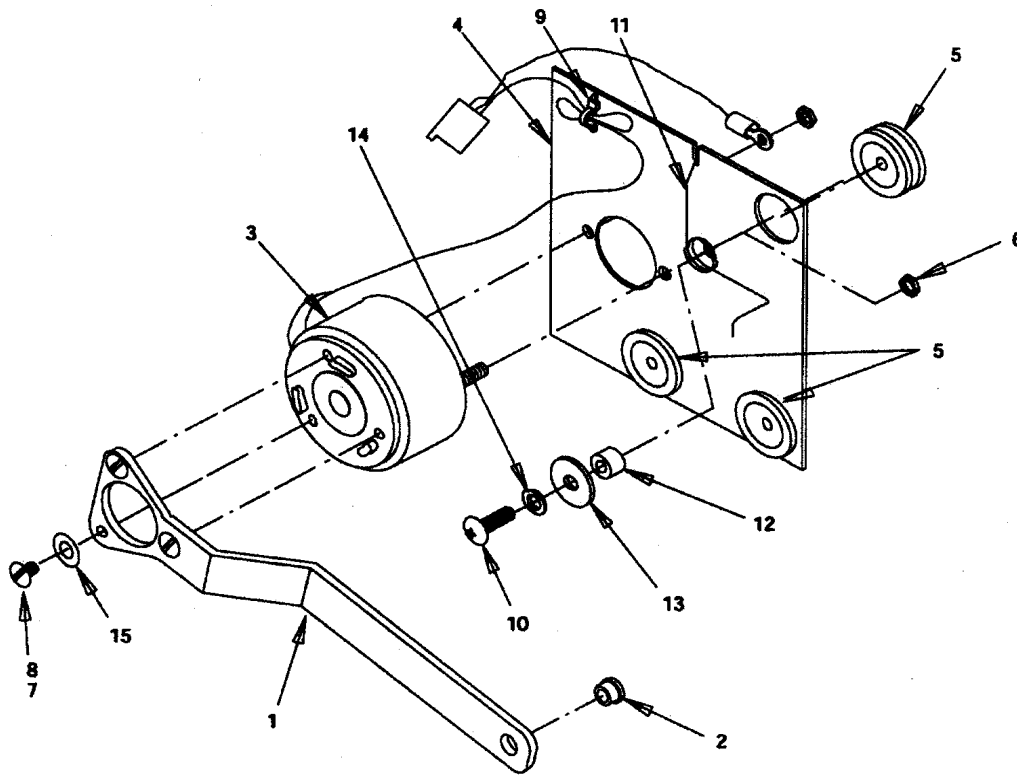
**IOD150, IOD200 and IOD250 Service Parts
Cabinet and Dispenser Parts, IOD200 and IOD 250**



IOD150, IOD200 and IOD250 Service Parts
IOD 200 and IOD250 Cabinet and Dispenser

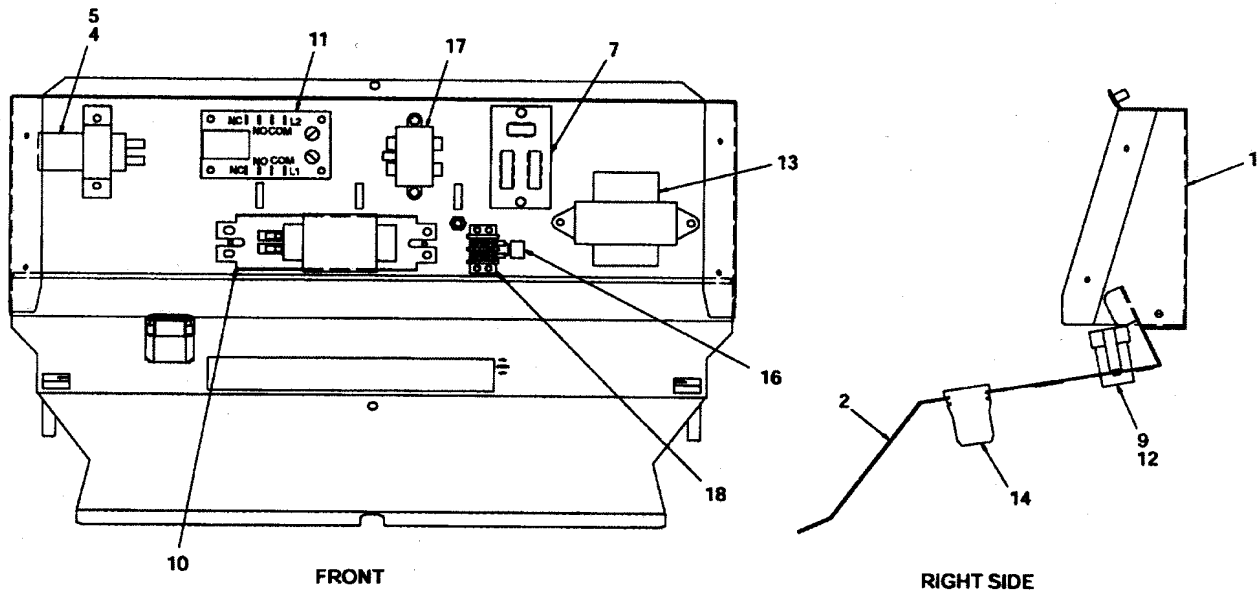
Item No.	Description	Part No.	Item No.	Description	Part No.
1	Slide, Gate	1011342-12	34	Hex Nut, No. 10-32	1011342-76
*2	Restrictor, Gate	1011342-144	35	Hex Nut, No. 10-32, Nyloc	1011342-77
3	Plate, Motor Mount	1011342-146	36	Tab, Retaining	1011342-74
4	Agitator	1011342-22	37	Screw, No. 10-32 By 3/8-In.	1011342-92
5	Cover, Rear Wrapper	1011342-21	38	Hex Nut, No. 10-32, Keps	1011342-75
6	Panel, Lower Front	1011342-142	39	Washer, No. 10	1011342-143
7	Cabinet	1011342-20	40	Washer,	1011342-83
8	Boot, Switch	1011342-29	41	Screw, No. 8-32 By 3/8-In.	1011342-89
9	Dispense Lever, Short	1011342-08	42	Screw, No. 8-32 By 1/2-In.	1011342-90
10	Pin, Drip Tray	1011342-02	43	Screw, No. 8 By 1/2-In. Long	1011342-91
*11	Agitator Motor Heater 115 V	1011342-25	44	Screw, 3/8-16 By 3/4-In. Long	1011342-107
12	Dispense Switch	1011342-26	45	Washer	1011342-84
13	Retainer, Ice Dispense lever	1011342-13	46	Washer,	1011342-110
14	Bulb, Florescent	1011342-33	47	Spring, Motor Heater	1011342-94
15	Agitator Motor 120 Volt	1011342-41	48	Screw, No. 8-32 By 1 1/8-In.	1011342-101
16	Solenoid Ass'y 120 Volt	1011342-38	49	Clip, Push-on	1011342-149
17	Elec Box Ass'y, 120V IOD 200	1011342-125	50	Brace, Reflector	1011342-121
17	Elec Box Ass'y, 120V IOD 250	1011342-126	51	Sheet Mtl Screw, #10 x 1/2.	1011342-140
18	Bracket, Motor Mount	1011342-19	*52	Leg	1011342-104
19	Washer, Captivating No. 8	1011342-103	53	Retainer, Agitator	1011342-03
20	Hinge Gusset	1011342-115	54	Spacer, Switch	1011342-97
21	Seal, Motor	1011342-70	55	Wing Nut, 3/8-16	1011342-109
22	Gasket, Gate	1011342-01	56	Shoulder Screw, No. 8-32	1011342-111
*23	Plug	1011342-55	57	Shoulder Screw, 1/4-20	1011342-106
24	Strap, Motor	1011342-105	58	Cup Rest	1011342-108
25	Ice Chute	1011342-139	*59	Adapter, 1-In. Barb By 3/4	1011342-51
26	Ice Chute Cover	1011342-69	*59	MPT (For Drip Tray Drain)	
27	Motor Mount	1011342-04	*60	Adapter, 3/4 Soc By 3/4 FPT	1011342-50
28	Merchandiser, Black (IOD250)	1011342-66	*60	(For Drip Tray Drain)	
28	Merchandiser, Black , (IOD200)	1011342-65	*61	Hose Clamp	1011342-96
28	Merchandiser, S.S., (IOD250)	1011342-09	*61	(For Drip Tray Drain)	
28	Merchandiser, S.S., (IOD200)	1011342-10	62	Graphic, IOD200	1011342-151
29	Panel, Inner	1011342-60	62	Graphic, IOD250	1011342-152
30	Drip Tray, Black , Insulated	1011342-71	63	Drip tray extension	1011342-122
31	Lid, Dispenser, Black	1011342-67	*	Not shown	
32	Hopper Ass'y, Insul (ID250)	1011342-61			
32	Hopper Ass'y, Insul (ID200)	1011342-59			
33	Tab, Retaining	1011342-63			

IOD150, IOD200 and IOD250 Service Parts Rotary Solenoid



Item No	Description	Part Number
1	Arm, Gate Lift	1011342-15
2	Bearing, Gate Arm	1011342-48
3	Solenoid, 120 Volts	1011342-39
	Solenoid, 220-240 Volts	1011342-42
4	Plate, Solenoid Mounting	1011342-14
5	Isolator	1011342-47
6	Hex Nut, No. 10-32	1011342-75
7	Lockite	
8	Screw, No. 8-32 By 1/4-In. Long	1011342-87
9	Tie Cable	1011342-46
10	Screw, No. 8-32 By 5/8-In. Long	1011342-88
11	Spring, Solenoid Arm	1011342-102
12	Spacer	1011342-52
13	Washer, .218 I.D. By .875 O.D.	1011342-83
14	Lockwasher, No. 10	1011342-82
15	Flatwasher, No. 8	1011342-80

IOD150, IOD200 and IOD250 Service Parts Electrical Box IOD150

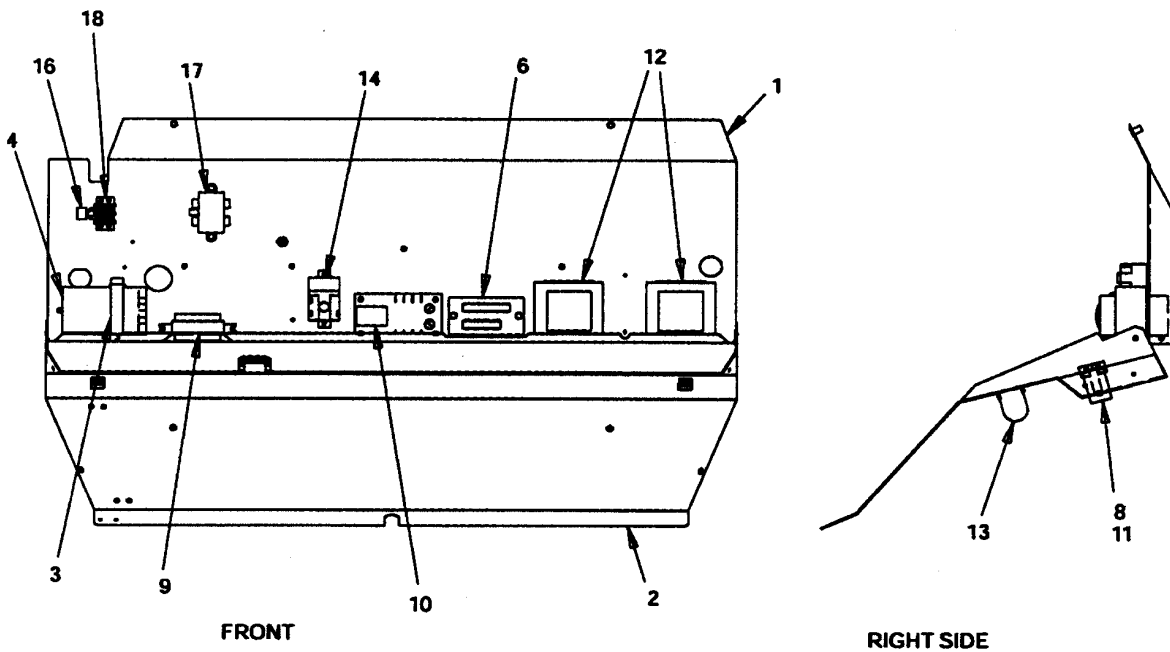


Item No	Description	Part number
1	Electrical Box (IOD 150)	1011342-113
2	Reflector, Panel (IOD 150)	1011342-114
3	N/A	N/A
4	Clamp, Capacitor, 120 Volts	1011342-23
5	Capacitor, 120 Volt	1011342-24
6	N/A	N/A
7	Terminal Board	1011342-30
8	N/A	N/A
9	Starter	1011342-31
10	Ballast, 120 Volt	1011342-32
11	Timer, Agitation, 120 Volt	1011342-138
12	Socket, Starter	1011342-124
13	Transformer, 120 Volts	1011342-36
14	Lampholder	1011342-123

Not Shown:

Relay, Start, 120 Volts	1011342-40
-------------------------	------------

IOD150, IOD200 and IOD250 Service Parts Electrical Box IOD200 and IOD250



Item No	Description	Part number	Item No	Description	Part number
1	Electrical Box (IOD250)	1011342-119	11	Socket, Starter	1011342-124
	Electrical Box (IOD200)	1011342-117	12	Transformer, 120 Volts	1011342-36
2	Reflector Panel (IOD250)	1011342-120	13	Lampholder	1011342-123
	Reflector Panel (IOD200)	1011342-116	14	Relay, Start, 120 Volts	1011342-40
3	Clamp, Capacitor	1011342-118	15	Not Used	N/A
4	Capacitor, Agitator Motor	1011342-148	16	Not Used	N/A
5	Power Cord, 120 Volts	1011342-28	17	Not Used	N/A
6	Terminal Board, 120 Volts	1011342-27	18	Not Used	N/A
7	Not Used	N/A			
8	Starter	1011342-31			
9	Ballast, 120 Volts	1011342-32			
10	Agitation Timer, 120 Volts	1011342-138			

IOD150, IOD200 and IOD250 Service Parts Schematic Diagram

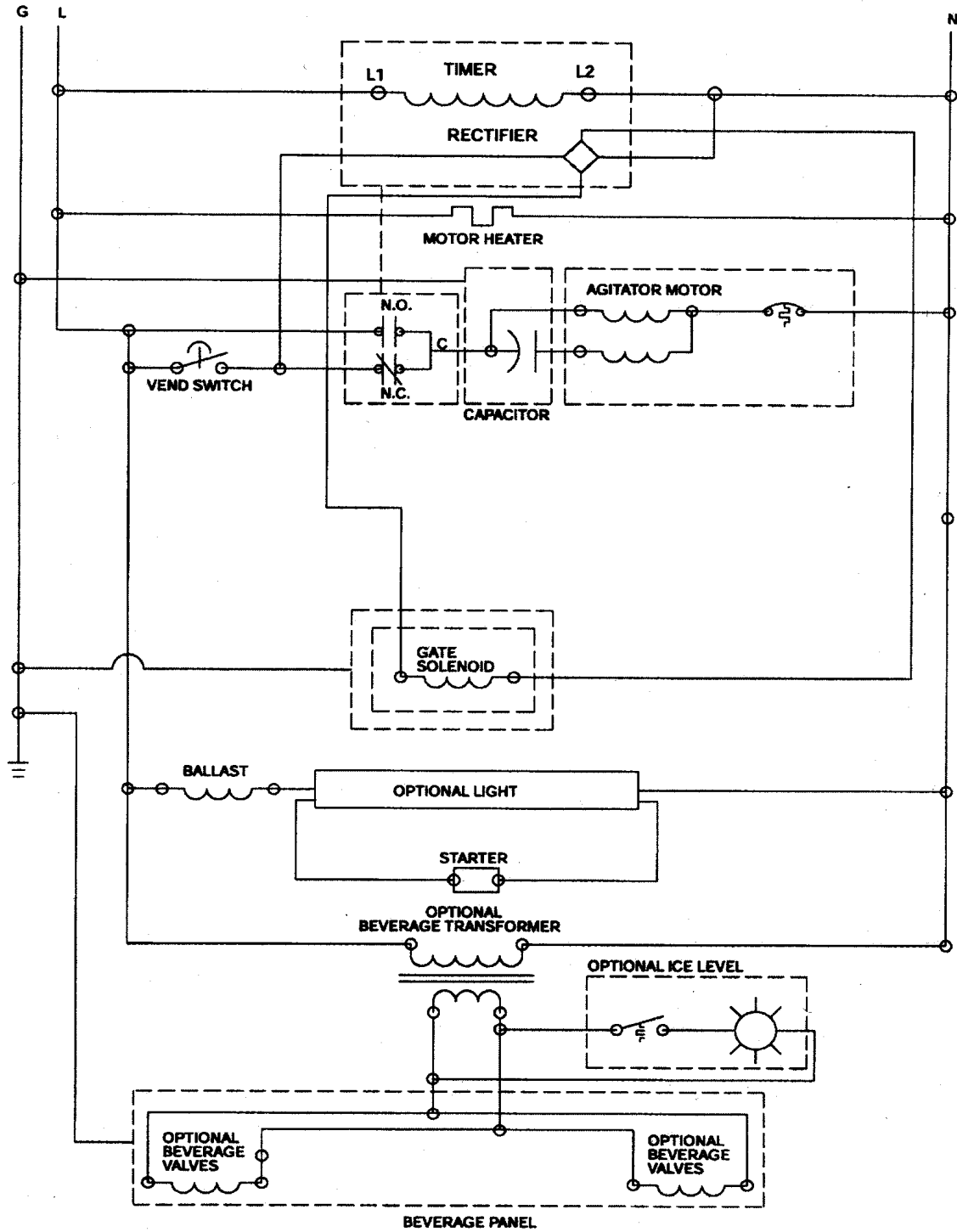


FIGURE 8. WIRING SCHEMATIC (120 V UNIT)