

# **ICE o-Matic**®

## **SERVICE PARTS MANUAL ICE UNDERCOUNTER SERIES CUBERS MODEL-ICEU060**



ICE-O-Matic  
11100 East 45th Ave  
Denver, Colorado 80239  
1-866-PUREICE  
Part Number 9081291-02

Rev3/05



# **ICEU060 Undercounter Service Parts**

This parts list contains the service parts available for the ICEU060 Undercounter icemakers.

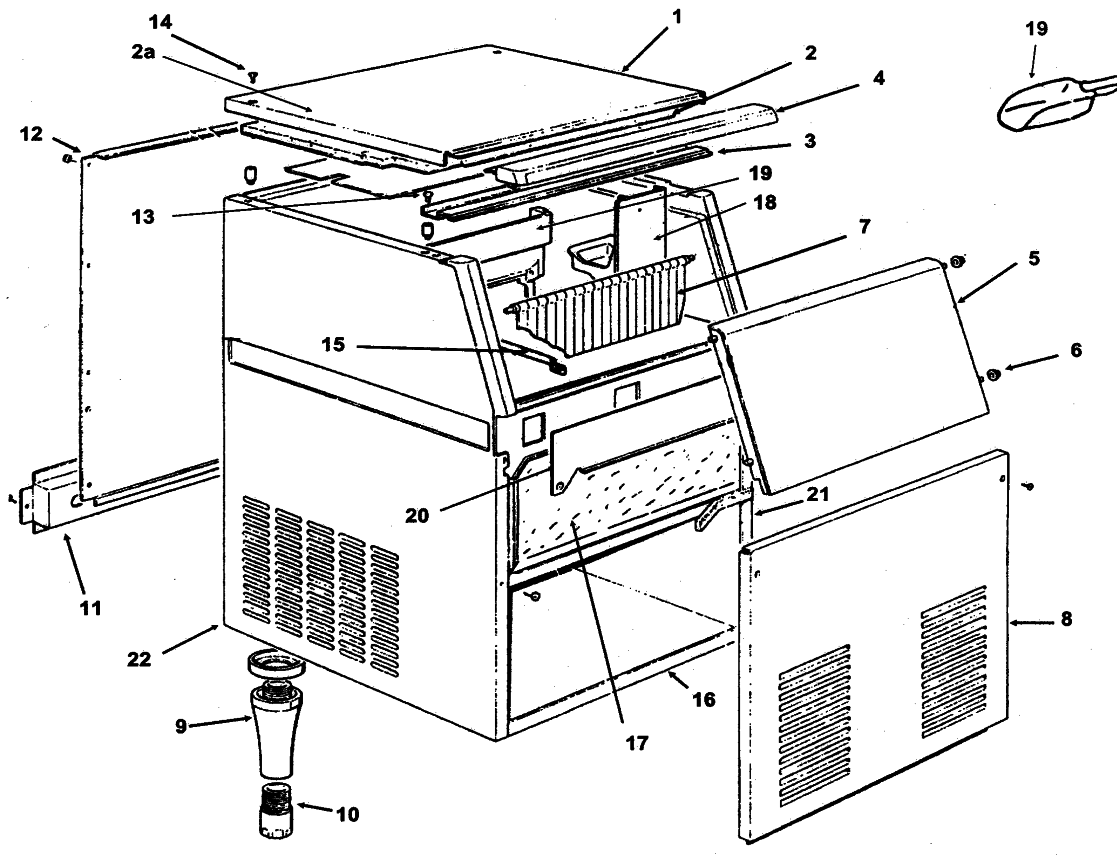
Check the model number on the data plate and refer to the correct listing for the specific component.

Check carefully that the correct part is identified and ordered.

<b>Table of Contents</b>	<b>Page 1</b>
<b>Cabinet</b>	<b>Page 2</b>
<b>Water System</b>	<b>Page 3</b>
<b>Refrigeration</b>	<b>Page 4</b>
<b>Control Box</b>	<b>Page 5</b>

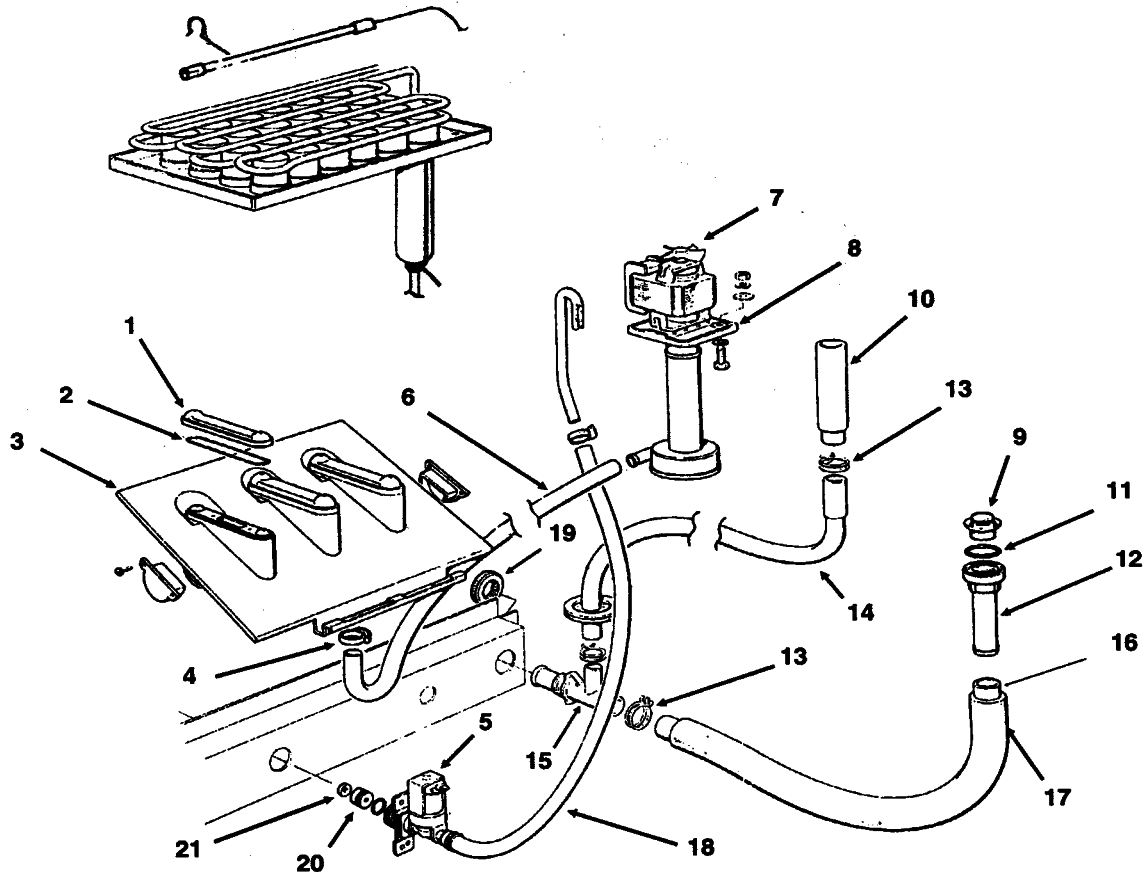
**Ice-O-Matic**  
**11100 East 45th Ave.**  
**Denver Co. 80239**  
**800-423-3367**

**The ICEU060 Service And Installation Manual is available separately, Part Number 9081291-01**



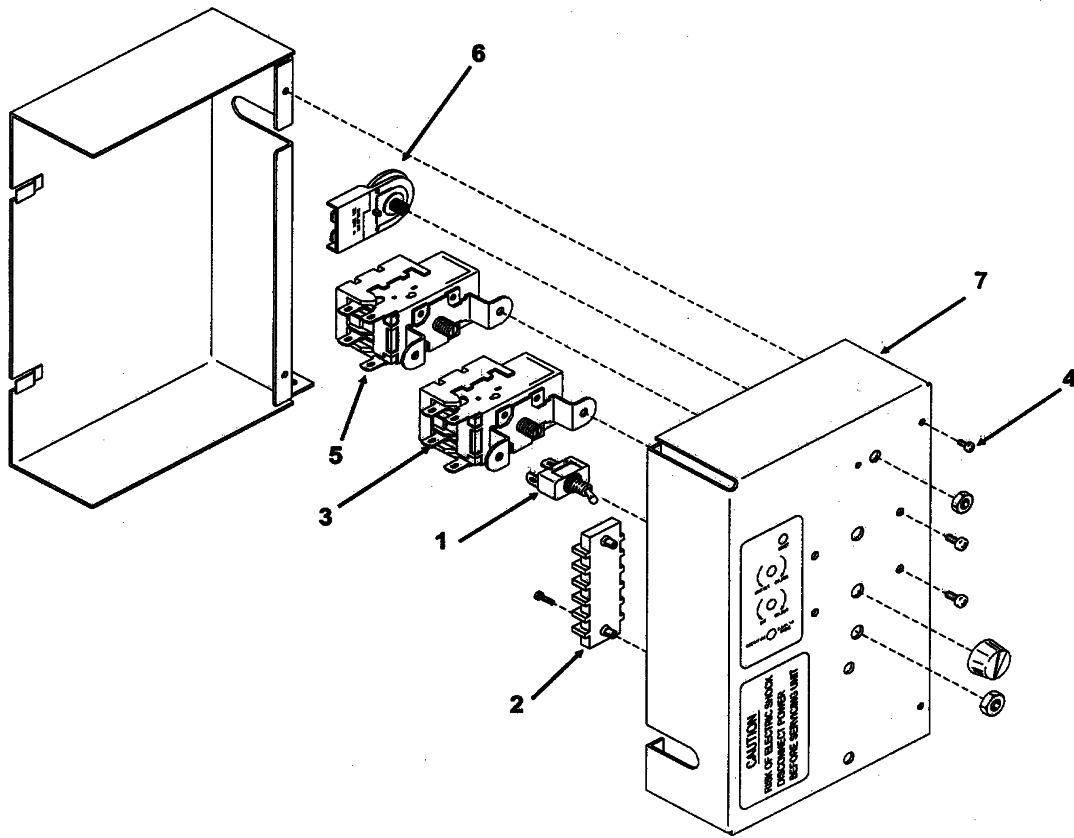
Item No.	Description	Part Number
1	Top Panel	1011337-01
2	Insulation	1011137-02
2a	Cover	1011137-03
3	Brace	1011337-04
4	Upper Door Frame	1011337-05
5	Door	1011337-06
6	Door Bushing (4)	1011337-07
7	Curtain	1011337-08
8	Front Panel	1011337-09
9	Leg	1011337-10
	Leg Spacer	1011337-11
10	Leg Leveler	1011337-12

Item No.	Description	Part Number
11	Lower Back Panel	1011337-13
12	Back Panel	1011337-14
13	Screw	1011337-15
14	Screw	1011337-16
15	Bin Thermostat Brkt.	1011337-17
16	Unit Frame	1011337-18
17	Storage Bin Assy.	1011337-19
18	Pump Bracket	1011337-20
	Curtain Bracket	1011337-21
19	Scoop	1011337-22
20	Front Plate	1011337-23
21	Right Side Panel	1011337-71
22	Left Side Panel	1011337-72



Item No.	Description	Part Number	Item No.	Description	Part Number
1	Spray Nozzle	1011337-24	13	Hose Clamp	1011337-36
2	Gasket	1011337-25	14	Drain Tube	1011337-37
3	Spray System	1011337-26	15	Drain Fitting	1011337-38
4	Hose Clamp	1011337-27	16	Bin Drain Hose	1011337-39
5	Inlet Water Valve	1011337-28	17	Drain Hose Insulation	1011337-40
6	Hose, Pump To Jets	1011337-29	18	Supply Hose	1011337-41
7	Pump Fan Blade	w/ Pump	19	Ring Nut	1011337-42
8	Water Pump	1011337-32	20	Included with Item 5	N/A
9	Drain Top	1011337-33	21	Included with Item 5	N/A
10	Stand Pipe	1011337-34	<b>Not Shown</b>		
11	O-Ring	1011337-35	22	Water Inlet Adapter	1011337-43
12	Drain Tube Fitting				





Item No.	Description	Part Number
1	Toggle Switch	1011337-63
2	Terminal Board	1011337-64
3	Bin Thermostat	1011337-65
4	Screw	1011337-66
	Lockwasher	1011337-67
5	Cube Size Control	1011337-68
6	High Temperature Cut-out	1011337-69
7	Control Box Cover	1011337-70