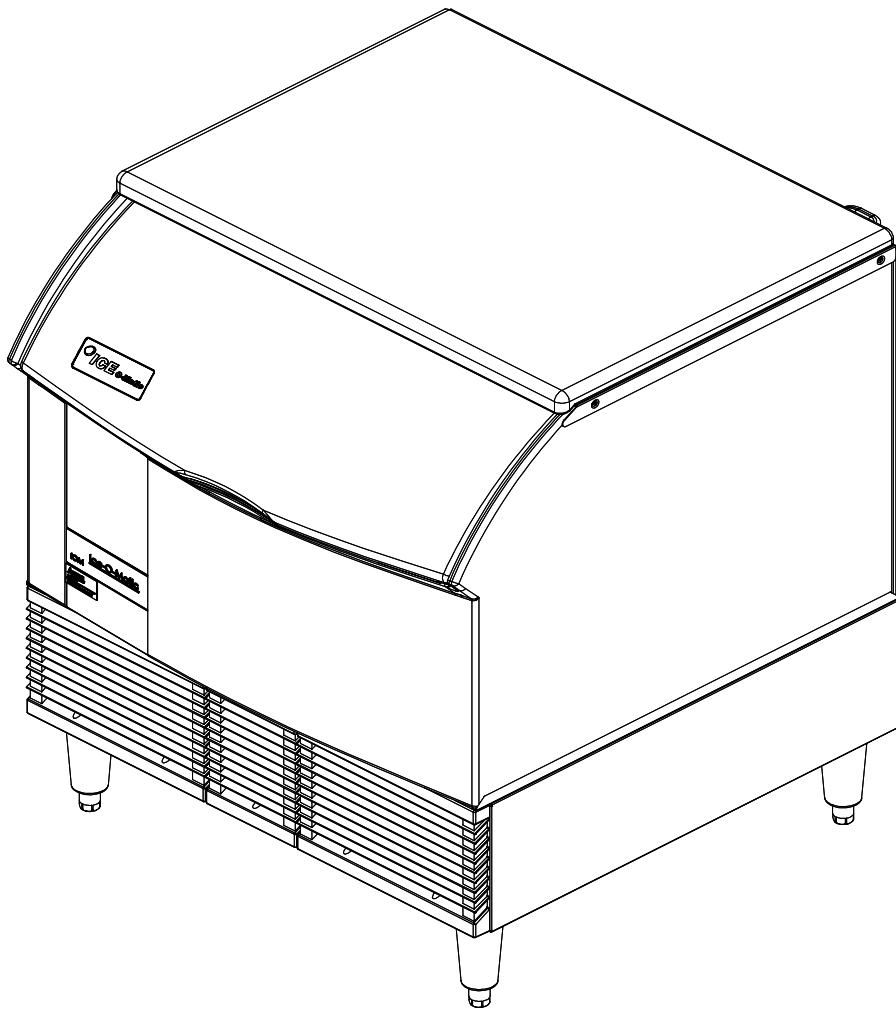


ICE o-Matic®

SERVICE PARTS MANUAL

The ICE Series Undercounter Cubers

MODEL-ICEU300, ICEU305



ICE-O-Matic
11100 East 45th Ave
Denver, Colorado 80239
Part Number 9081332-01

Rev. 1/06

ICEU300 Service Parts

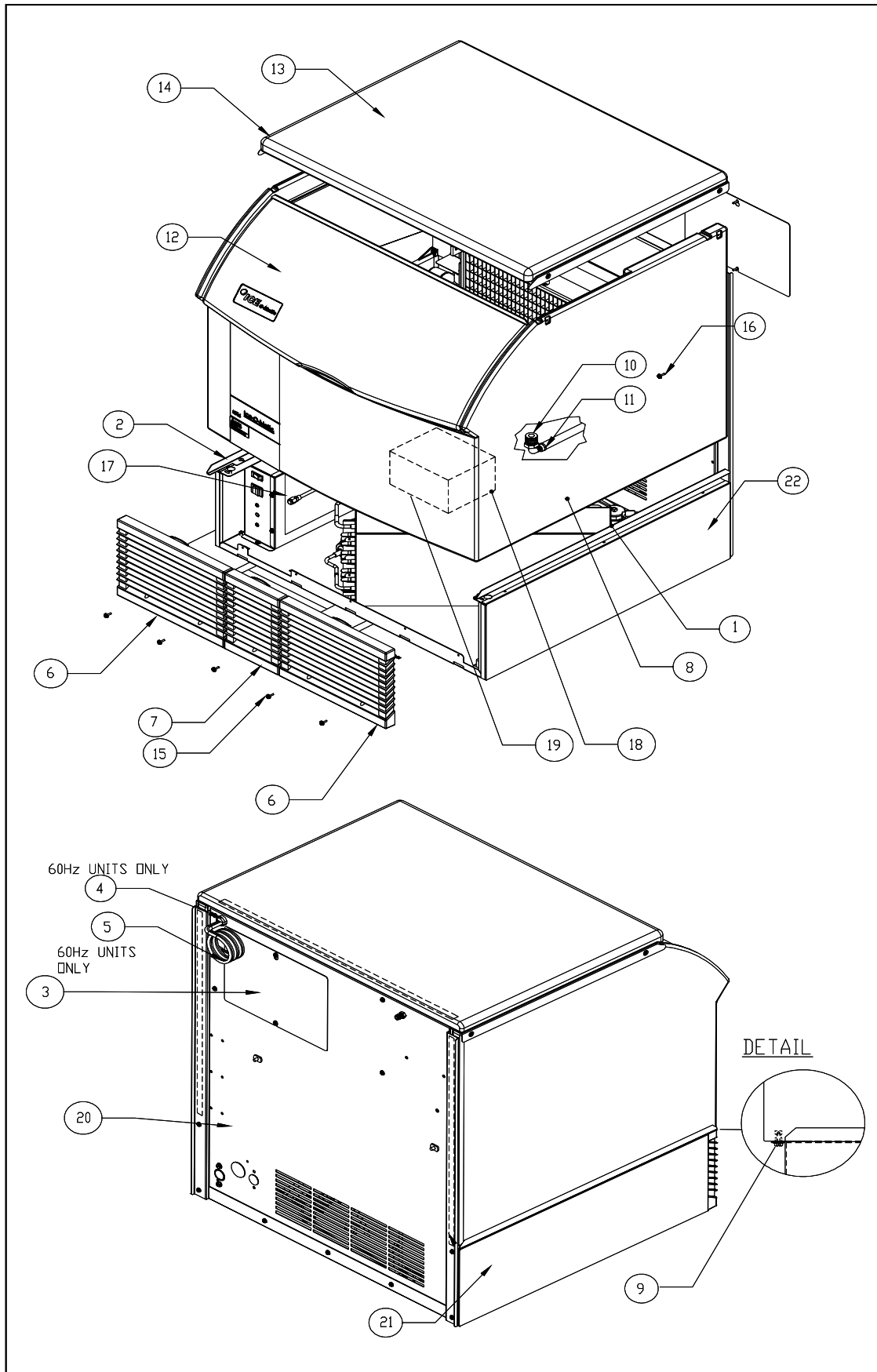
This parts list contains the service parts available for the ICEU300 and ICEU305 Undercounter icemakers.

Check the model number on the data plate and refer to the correct listing for the specific component.

Check carefully that the correct part is identified and ordered.

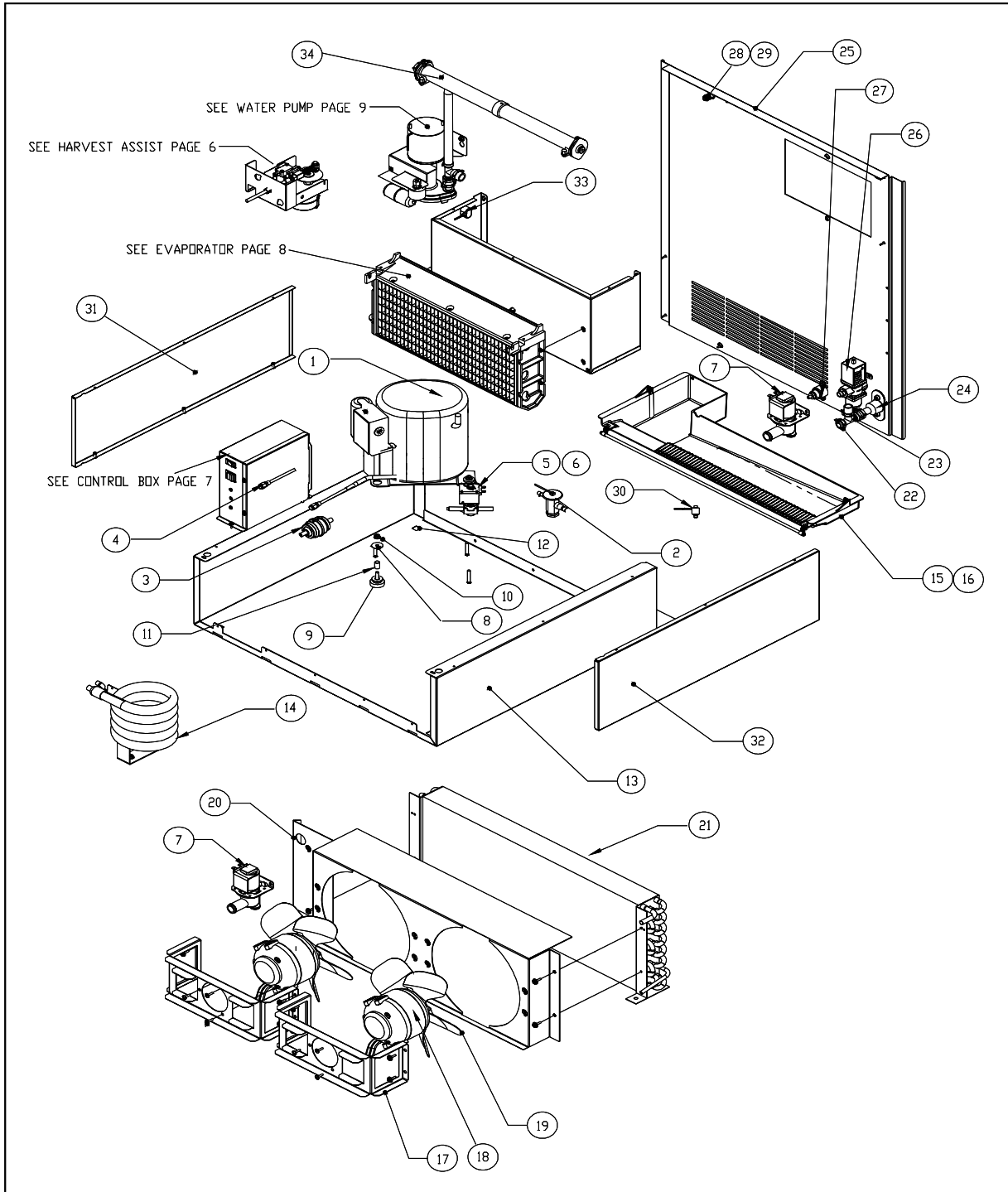
Table of Contents	Page 1
Bin and Exterior Components	Page 2 - 3
Refrigeration System	Page 4 - 5
Harvest Assist Assembly	Page 6
Control Box	Page 7
Evaporator	Page 8
Water Pump	Page 9
Wiring Diagram	Page 10

ICE-O-Matic
11100 East 45th Ave.
Denver Co. 80239
800-423-3367



ICEU300 Service Parts**Bin and Exterior Components**

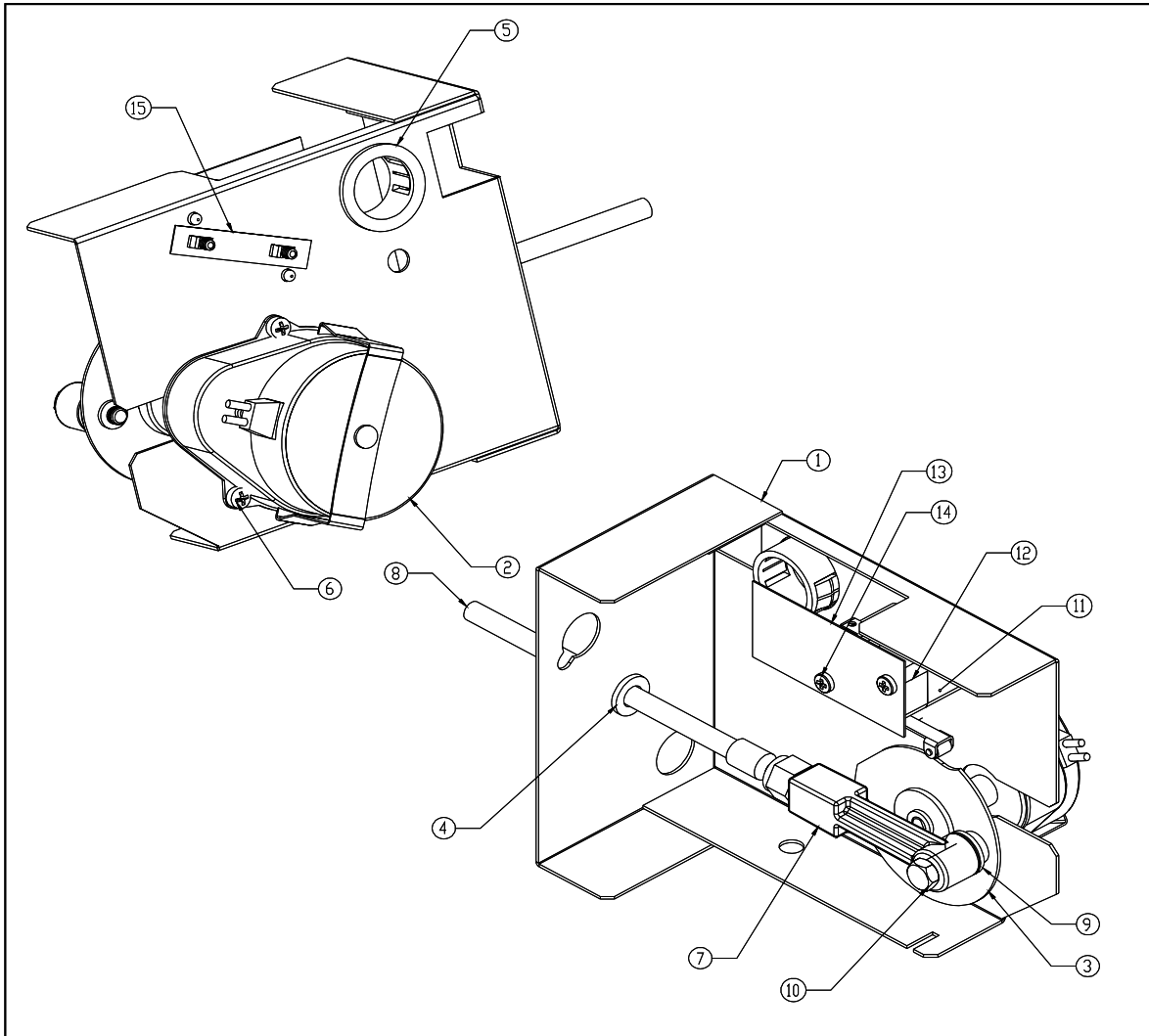
Item	Description	ICEU300	ICEU305
1	Trim Strip RH	3021895-01	3021895-01
2	Trim Strip LH	3051895-02	3051895-02
3	Panel Rear Access	3012149-01	3012149-01
4	Bushing, Strain Relief	9151015-04	N/A
5	Power Cord	9101242-01	N/A
6	Front Grill Large	9051530-01	9051530-01
7	Front Grill Small	9051531-01	9051531-01
8	Bin Assembly (Includes Item 10)	2101400-01S	2101400-01S
9	Hex Head Machine Screw	9031112-01	9031112-01
10	Drain Elbow	9091122-02	9091122-02
11	Clamp	9021010-03	9021010-03
12	Bin Door Assembly	2101401-01S	2101401-01S
	Bin Door	9051525-01	9051525-01
	Thumb Screw	9031122-03	9031122-03
	Door Stop	3013235-01	3013235-01
13	Bin Top Assembly	2101402-01S	2101402-01S
	Top Panel	9051526-01	9051526-01
	Trim Strip LH	3021894-01	3021894-01
	Trim Strip RH	3021894-02	3021894-02
	Screw-Rear of Panel	9031008-02	9031008-02
	Screw-Front of Panel	9031113-01	9031113-01
14	Top Panel Screw	9031023-10	9031023-10
15	Screw	9031046-03	9031046-03
16	Bin Fastener	9031162-01	9031162-01
17	Control Box Cover	3013161-01	3013221-01
18	Leg Set (4 each)	9021095-01	9021095-01
19	Ice Scoop	9051127-02	9051127-02
20	Rear Panel	2021646-01	2021646-01
21	Left Side Panel	3021883-01	3021883-01
22	Right Side Panel	3021883-01	3021883-01



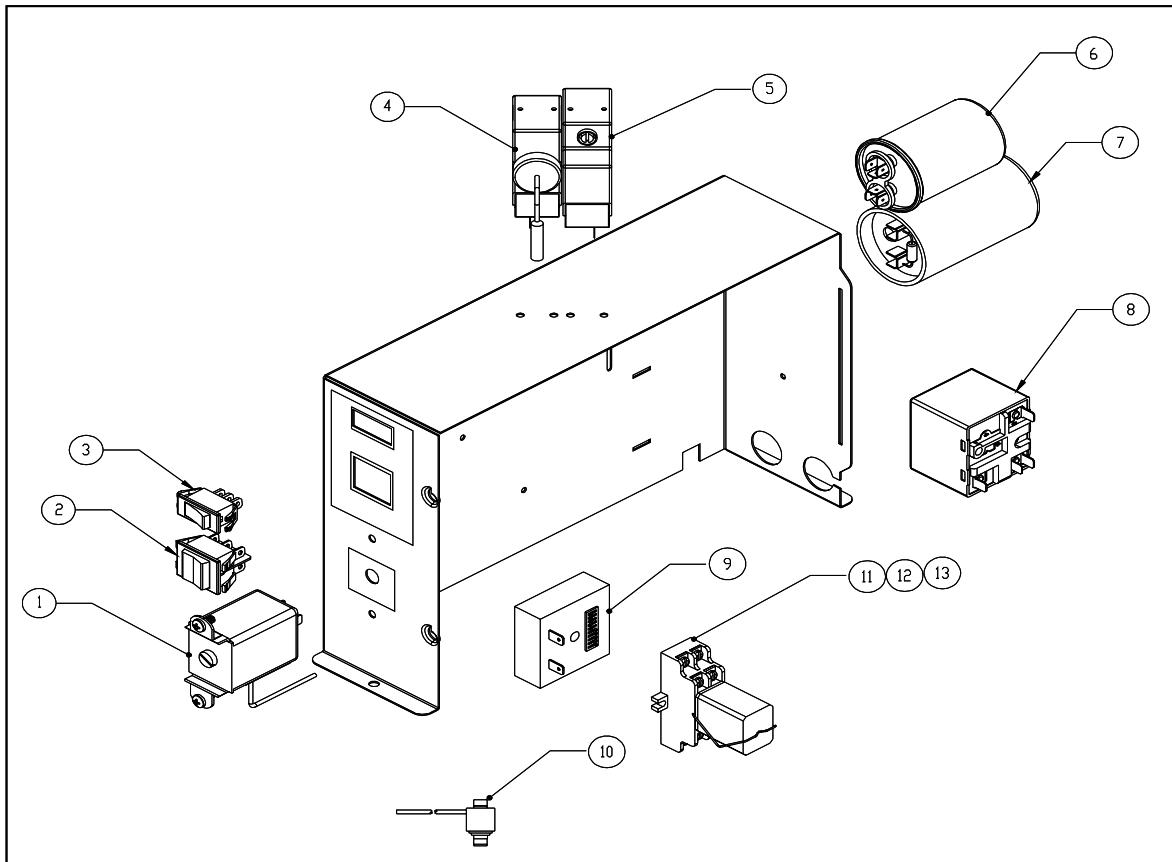
Item	Description	ICEU300	ICEU305
1	Compressor Kit	9181121-11	9181122-11
2	Expansion Valve	9151134-04	9151134-04
3	Drier-Air Cooled	9151004-02	9151004-02
	Drier-Water Cooled	9151004-05	9151004-05
4	Service Valve Core	9091086-02	9091086-02
	Service Valve Cap	9091086-03	9091086-03
5	Hot Gas Valve Body	9151123-06	9151123-06
6	Hot Gas Valve Coil	9151123-03	9151123-04
7	Purge Valve	9041086-04	9041086-05
8	Flat Washer	9031004-02	9031004-02
9	Grommet	9181002-10	9181002-10
10	Lock Nut	9031118-02	9031118-02
11	Sleeve Compressor Mounting	9181002-11	9181002-11
12	Lock Nut (Leg)	9031012-02	9031012-02
13	Base Assembly	2021644-01	2021644-01
14	Water Condenser	9141121-01	9141121-01
15	Water Trough Assembly	2101399-01	2101399-01
16	Water Trough Screws	9031046-24	9031046-24
	Rubber Washer	9031004-19	9031004-19
17	Fan Bracket	3013243-01	3013243-01
18	Fan Motor	9161112-01	9161112-02
19	Fan Blade	9131446-01	9131446-01
20	Fan Shroud	3013217-01	3013217-01
21	Air Condenser	9141128-01	9141128-01
22	Hose Clamp	9021010-04	9021010-04
23	Barbed Tee	9091024-01	9091024-01
24	Drain Adapter	9091138-01	9091138-01
25	Rear Panel	2021646-01	2021646-01
26	Water Regulator	9041059-01	9041059-01
27	Drop Adapter Fitting	9091063-02	9091063-02
28	Water Inlet Fitting	9091135-01	9091135-01
29	Flanged Lock Nut	9031118-05	9031118-05
30	High Temperature Safety Control	9041087-03	9041087-03
31	Side Panel S/S	3021883-01	3021883-01
32	Side Panel S/S	3021883-01	3021883-01
33	Water Pump Connector	9101218-14	9101218-14
34	Water Distribution Tube	2041338-01	2041338-01

Compressor Components

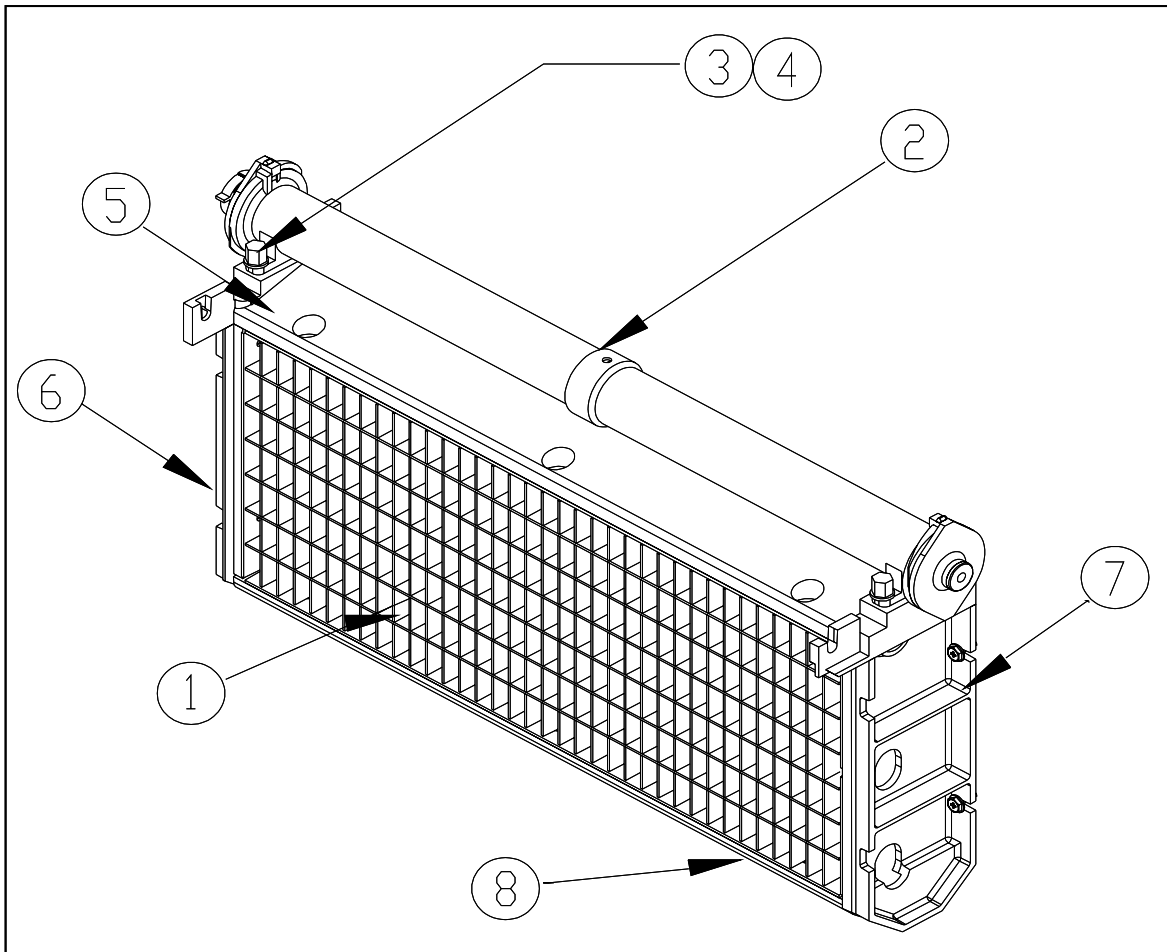
Description	ICEU300	ICEU305
Compressor Kit	9181121-11	9181122-11
Overload	9181005-37	9181005-39
Start Capacitor	9181003-39	9181003-40
Compressor Relay	9181004-27	9181010-26
Run Capacitor	N/A	9181009-08



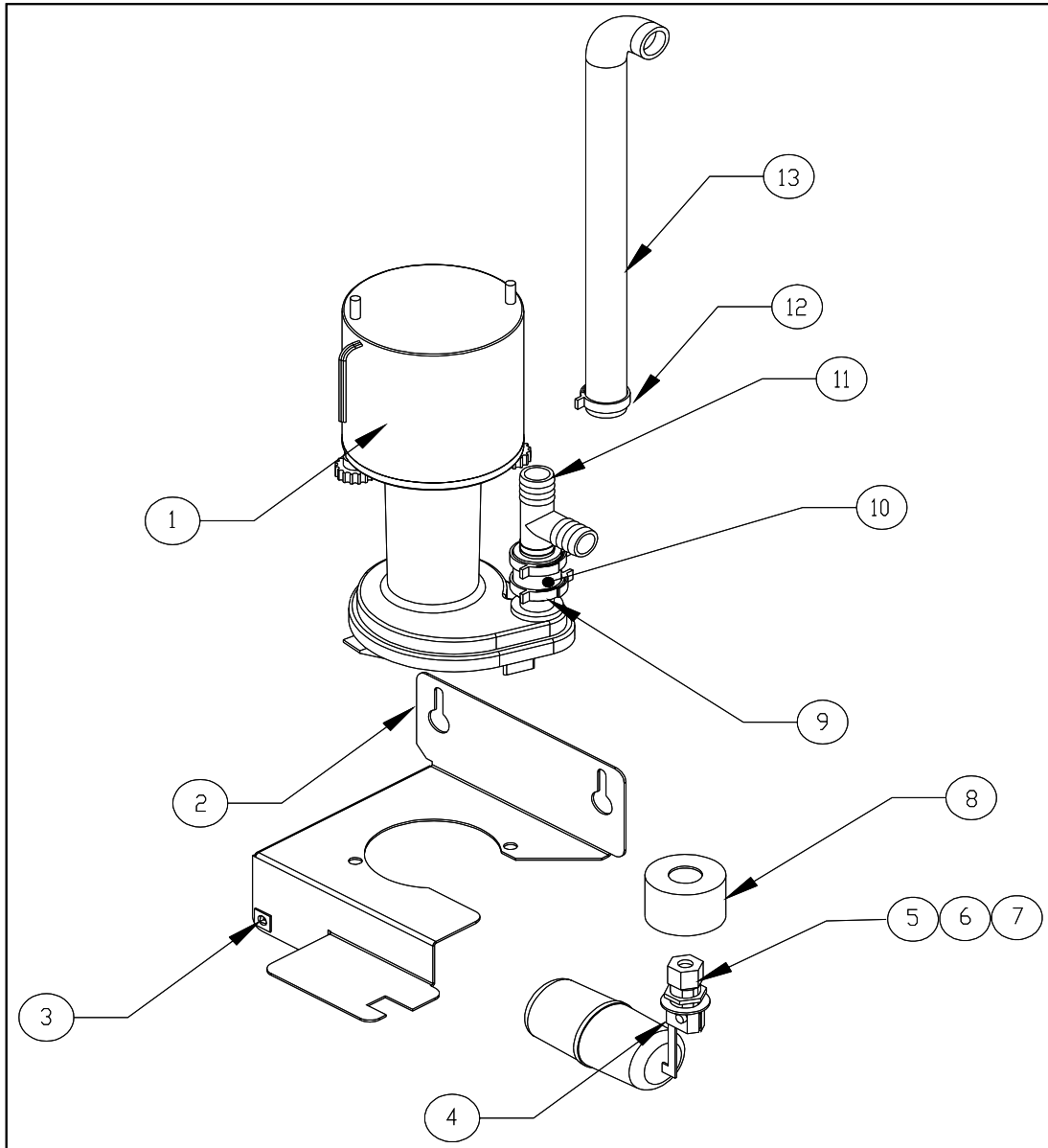
Item	Description	ICEU300	ICEU305
	Harvest Assist Assembly	2061962-05	2061962-07
1	Bracket, Probe Motor	3013170-01	3013170-01
2	Gear Motor	9161030-01	9161031-01
3	Clutch Assembly, 60 Degree	9131190-03	9131190-03
4	Snap Bushing	9051001-13	9051001-13
5	Snap Bushing	9051001-03	9051001-03
6	#6-32 x 1/2 Screw	9031019-08	9031019-08
7	Connecting Rod	9051057-01	9051057-01
8	Probe, Single Length	9021102-01	9021102-01
9	Flat Washer	9031003-03	9031003-03
10	Shoulder Screw	9031119-01	9031119-01
11	Spacer, Cam Switch	9051519-01	9051519-01
12	Cam Switch	9101160-01	9101160-01
13	Insulator	3051145-02	3051145-02
14	Pan Head Screw	9031008-44	9031008-44
15	Speed Nut Plate	9031120-01	9031120-01



Item	Description	ICEU300	ICEU305
1	Thermostat-Bin Control	9041097-01	9041097-01
2	Ice/Off/Wash Switch	9101195-01	9101195-01
3	Switch-Purge	9101139-03	9101139-03
4	High Pressure Control	9041095-01	9041095-01
5	Low Pressure Control (Timer Initia	9041094-01	9041094-01
6	Run Capacitor	N/A	9181009-08
7	Start Capacitor	9181003-39	9181003-40
8	Relay	9181004-27	9181010-26
9	Timing Module	9101148-01	9101148-01
10	High Temperature Safety Control	9041087-03	9041087-03
11	Relay	9101083-01	9101083-01
12	Socket-Relay	9101084-01	9041084-02
13	Hold Down Spring - Relay	9101083-03	9041083-02



Item	Description	ICEU300	ICEU305
1	Evaporator Assembly-Half Cube	2051231-82	2051231-82
1	Evaporator Assembly-Full Cube	2051231-81	2051231-81
2	Water Distribution Tube	2041338-01	2041338-01
3	Thumbscrew	9031122-01	9031122-01
4	Rubber Washer	9031004-19	9031004-19
5	Spillway	9051135-05	9051135-05
6	LH Evaporator Mounting Panel	9051136-07	9051136-07
7	RH Evaporator Mounting Panel	9051136-08	9051136-08
8	Water Return	9051135-04	9051135-04



Item	Description	ICEU300	ICEU305
1	Water Pump	9161076-01	9161076-02
	Thumbscrew / Pump (2 Req)	9161076-101	9161076-101
2	Pump Bracket	3013219-01	3013219-01
3	Plastic Nut	9031141-01	9031141-01
4	Float	9131111-01	9131111-01
5	Tube-Polyethylene - 11" Req'd	6021032-01	6021032-01
6	Barrel Fitting	9091080-01	9091080-01
7	Sleeve	9091081-01	9091081-01
8	Cap Plug	9131026-02	9131026-02
9	Hose PVC 5/8 - 2" Req'd	6021015-04	6021015-04
10	Plastic Clamp	9021010-04	9021010-04
11	Barbed Tee	9091024-01	9091024-01
12	Plastic Clamp	9021010-03	9021010-03
13	Drain Tube	9051280-05	9051280-05

Please note: Thumbscrews are shipped with the Water Pumps when ordered as a service replacement part.

