

34.0 EMF SERIES FLAKERS EMF 450, EMF800, EMF1106 AIR, WATER AND REMOTE

Item Code	Part Description	Part No.	EMF	EMF	EMF
			450	800	1106
Shaded Item Code indicates updated information					
AIR COOLED					
5	Air Condenser	9141002-01	X		
5	Air Condenser	9141017-01		X	
5	Air Condenser	9141046-01			X
10	Fan Blade	9131133-02			
10	Fan Blade	9131133-01		X	
10	Fan Blade	9131204-01			X
15	Fan Motor Bracket	9131054-01	X	X	X
20	Fan Motor	9161027-01			X
20	Fan Motor	9161045-04	X	X	
25	Fan Shroud	3011410-01	X		
25	Fan Shroud	3012692-01		X	
25	Fan Shroud	3012666-02			X
AUGER MOTOR					
105	Key - Motor 5/8" Shaft	9021028-01	X	X	X
110	Auger Motor 5/8" Shaft	9161093-01	X	X	
110	Auger Motor 5/8" Shaft	9161096-01			X
COUPLER					
115	Coupler Assy (3/4 x 5/8)	2081012-02	X	X	
115	Coupler Assy (Keyed) (3/4 x 3/4)	2081012-05			X
120	Coupler Lower Half (ED 18 Box)	9111004-92	X	X	X
125	Coupler Upper Half (Keyed Auger)	9111004-92	X		X
125	Coupler Upper Half (Keyed Auger)	9111012-91		X	
130	Coupler - Spyder Gear	9111004-91	X	X	X
135	Set Screw - Coupler	9031001-36	X	X	X
COMPRESSOR AND COMPONENTS (*Kit Includes Drier and Start Components)					
200	*Compressor Kit - Tecumseh	9181095-11	X		
200	*Compressor Kit - Copeland	9181115-12	X		
200	*Compressor Kit	9181086-11		X	
200	*Compressor Kit	9181083-11			X
205	Overload	9181005-12		X	
205	Overload - Copeland	9181005-38	X		
210	Run Capacitor	9181009-11			X
215	Start Capacitor	9181003-20			X
215	Start Capacitor - Copeland	9181003-42			
215	Start Capacitor	9181003-17	X	X	
215	Start Capacitor	9181003-20			X
220	Start Relay	9181010-14	X	X	
220	Start Relay - Copeland	9181004-24	X		
220	Start Relay	9181010-12			X
DOWN CHUTE-GREY PLASTIC ROTO-MOLDED					
400	Bin Control Tube	3032258-01	X	X	X
405	Down Chute Assembly	2101236-01			X
405	Down Chute Assembly	2101236-02	X	X	
407	Down Chute Actuator	9051381-01	X	X	X
410	Down Chute (Less Components)	9051369-01			X
410	Down Chute (Less Components)	9051369-02	X	X	
415	Down Chute Strap	3012729-01			X
415	Down Chute Strap	3012729-01	X	X	
420	Push-on Nut (Retains Bin Control Tube)	9031133-01	X	X	X
425	Screw Machine #6-32 x 7/8 (Switch)	9031008-29	X	X	X
430	Speed Nut (Switch)	9031011-01	X	X	X
435	Switch Bracket	3012382-01	X	X	X

34.0 EMF SERIES FLAKERS EMF 450, EMF800, EMF1106 AIR, WATER AND REMOTE

Item Code	Part Description	Part No.	EMF	EMF	EMF
			450	800	1106
Shaded Item Code indicates updated information					
440	Switch Insulator	3051130-01	X	X	X
445	Switch-Modified	3051163-01	X	X	X
450	Tab Cap	9101115-01	X	X	X

ELECTRICAL					
230	Low Temp Safety Control	9041002-01	X	X	X
235	Bin Thermostat	9041004-02	X	X	X
240	Switch Toggle - On/Off	9101001-02	X	X	X
245	Contactor - 1 Pole 115V	9101002-03	X	X	
245	Contactor - 1 Pole 230V	9101002-04			X
250	Terminal Board - A & W	9101037-01	X	X	X
260	Timer Delay Module 115V	9101140-01	X	X	
260	Timer Delay Module 230V	9101140-02			X
265	Relay-Auger Motor 115V	9101170-01	X	X	
265	Relay-Auger Motor 230V	9101170-02			X

EVAPORATOR 2-1/2"					
	Bearings,Water Seal, Nut and O-Ring	1051111-02	X	X	
300	Auger	9131012-01	X	X	
305	Bearing & Housing Assembly - Lower	2051028-01	X	X	
310	Bearing & Housing Assembly - Upper	2051160-01	X	X	
315	Bearing - Lower	9121001-06	X	X	
320	Bearing-Upper (Tapered Roller)	9121039-02	X	X	
325	Evaporator Assy w/o Expansion Valve	2051172-91	X	X	
326	Evaporator Barrel w/o Expansion Valve	2051171-91	X	X	
335	Evaporator Cap	3011011-01	X	X	
340	Gasket-Evap. To Ice Chute	9051011-01	SEE BELOW	X	X

Per Service Bulletin #14-97 (June 97)the following 3 parts are required for the new type gasket

340	Primary Ice Chute Gasket	3051198-01	X	X	
340	Secondary Gasket	3991045-01	X	X	
340	Retaining Strap	3012729-02	X	X	
345	Hex Bolt	9031001-01	X	X	
350	Housing - Lower Bearing	9131220-01	X	X	
355	Housing - Upper Bearing	9131219-01	X	X	
360	Locating Pin (Upper Housing)	9131010-01	X	X	
365	O-Ring - Lower	9131009-08	X	X	
370	O-Ring - Upper	9131009-03	X	X	
375	Retaining Nut - Upper or Lower	9131207-01	X	X	
380	Set Screw (Lower Nut)	9031033-03	X	X	
385	Washer	9031004-09	X	X	
390	Water Seal & Face Assy	9121026-91	X	X	

EVAPORATOR 3"					
	Bearings,Water Seal, Nut and O-Ring	1051111-01			X
300	Auger (Keyed)	9131283-01			X
305	Bearing Housing Assembly Lower	2051029-01			X
310	Bearing Housing Assembly Upper	2051159-01			X
315	Bearing - Lower	9121001-05			X
320	Bearing-Upper (Tapered Roller)	9121039-01			X
325	Evaporator Assy w/o Expansion Valve	2051186-91			X
326	Evaporator Barrel w/o Expansion Valve	2051163-91			X
335	Evaporator Cap	3011012-01			X
340	Gasket-Evap. To Ice Chute	9051012-01	SEE BELOW		

Per Service Bulletin #14-97 (June 97)the following 3 parts are required for the

34.0 EMF SERIES FLAKERS EMF 450, EMF800, EMF1106 AIR, WATER AND REMOTE

Item Code	Part Description	Part No.	EMF 450	EMF 800	EMF 1106
Shaded Item Code indicates updated information					
	new type gasket				
340	Primary Ice Chute Gasket	3051198-01			X
340	Secondary Gasket	3991045-01			X
340	Retaining Strap	3012729-01			X
345	Hex Bolt	9031001-01			X
350	Housing - Lower Bearing	9131218-01			X
355	Housing - Upper Bearing	9131217-01			X
360	Locating Pin (Upper Housing)	9131010-02			X
365	O-Ring - Lower	9131009-01			X
370	O-Ring - Upper	9131009-02			X
375	Retaining Nut - Upper or Lower	9131206-01			X
380	Set Screw (Lower Nut)	9031033-03			X
385	Washer	9031004-09			X
390	Water Seal & Face Assembly	9121025-91			X
GEAR REDUCER ED 18					
140	Gear Reducer ED18 (12 OZ. GEAR OIL)	9171010-01		X	X
Internal Parts for BALDOR Gearbox are not available.					
MORRIS Model # MJ6349 Internal Parts (Prior to 1995)					
145	Bearing - Input or Output	9171010-90		X	X
150	Seal - Input or Output	9171010-91		X	X
155	Output Shaft	9171010-92		X	X
160	Worm	9171010-93		X	X
165	Worm Gear	9171010-94		X	X
RIS Model # MJ6349 Internal Parts (Prior to 1995) (Continued)					
170	Gear Spacer	9171010-95		X	X
175	Bore Plug	9171010-96		X	X
180	Snap Ring	9171010-97		X	X
MORRIS Model # MJ9004 Internal Parts (After 1995)					
145	Bearing - Input or Output	9171010-90		X	X
150	Seal - Input or Output	9171010-80		X	X
155	Output Shaft	9171010-81		X	X
160	Worm	9171010-82		X	X
165	Worm Gear	9171010-83		X	X
175	Bore Plug	9171010-96		X	X
180	Snap Ring	9171010-97		X	X
MISCELLANEOUS					
490	Drip Boot	9051007-01	X	X	
490	Drip Boot	9051006-01			X
492	Sweat Cap (Legionnaires)	2991006-01	X	X	
492	Sweat Cap (Legionnaires)	2991005-01			X
	Chute Seal	9051420-01	X	X	X
495	Drain T (Drip Boot To Cabinet Rear)	9091073-01	X	X	X
PANELS					
500	Front Panel, Grey	NLA	X	X	X
500	Front Panel, Stainless	3021002-02	X	X	X
	Paint Grey Touch-up (Spray Can)	5011077-20	X	X	X
505	Screw #6 - 32 x 3/8, Grey	9031046-11	X	X	X
510	Screw #8 - 18 x 1-1/2, Grey	9031074-02	X	X	X
510	Screw #8 - 18 x 1-1/2, Stainless	9031046-18	X	X	X
515	Screw #8 - 18 x 3/8, Grey	9031074-01	X	X	X
520	Side Panels LH & RH, Grey	NLA	X	X	X
520	Side Panels LH & RH, Stainless	3021003-02	X	X	X
530	Top Panel, Grey	NLA	X	X	X

34.0 EMF SERIES FLAKERS EMF 450, EMF800, EMF1106 AIR, WATER AND REMOTE

Item Code	Part Description	Part No.	EMF	EMF	EMF
			450	800	1106
Shaded Item Code indicates updated information					
530	Top Panel, Stainless	3021004-02	X	X	X
535	Rear Panel Stiffener	3011334-01	X	X	X
PULLEY					
185	Pulley - Gear Box	9111002-08	X		
185	Pulley - Gear Box	9111002-15			X
185	Pulley - Gear Box	9111002-26		X	
190	Pulley - Auger Motor 5/8" (Keyed)	9111002-29	X		
190	Pulley - Auger Motor 5/8" (Keyed)	9111002-28			X
190	Pulley - Auger Motor 5/8" (Keyed)	9111002-05		X	
REFRIGERATION					
600	Drier	9151004-02	X		
600	Drier	9151004-05		X	X
605	Expansion Valve - SPORLAN	9151006-09	X		
605	Expansion Valve - SPORLAN	9151006-23		X	
605	Expansion Valve - ALCO	9151134-09		X	
605	Expansion Valve - SPORLAN	9151006-08			X
605	Expansion Valve - ALCO	9151134-08			X
610	High Pressure Safety Control (350 PSI)	9041001-02		X	
610	High Pressure Safety Control (400 PSI)	9041001-03		X	X
610	High Pressure Safety Control (450 PSI)	9041001-04	X		
615	Service Valve Assy	2101160-01	X	X	X
620	Service Valve Cap	9091086-03	X	X	X
625	Service Valve Core	9091086-02	X	X	X
REMOTE					
700	Head Pressure Regulator (192 PSI)	9151027-02		X	X
705	High Pressure Safety Control (400 PSI)	9041001-03		X	X
710	Liquid Line Solenoid Body - ALCO	9151123-02			X
715	Liquid Line Solenoid Coil - ALCO 115V	9151123-03		X	
715	Liquid Line Solenoid Coil - ALCO 203V	9151123-04			X
720	Pump Down Control	9041040-01		X	X
725	Receiver	9151074-01		X	X
730	Receiver Bracket	3011318-01		X	X
735	Refrig In/Out Bracket	3011587-01		X	X
736	Relay 230V	9101084-02			X
736	Relay 115V	9101084-01		X	
737	Relay Socket	9101083-01		X	X
738	Terminal Board - Remote	9101037-02		X	X
739	Terminal Dual Adapter	9101041-01		X	X
REMOTE CONDENSER					
740	Coupling Half Bulkhead 1/2	9091001-07		X	X
745	Coupling Half Bulkhead 3/8	9091001-01		X	X
750	Coupling Half Lineset 1/2	9091001-08		X	X
755	Coupling Half Lineset 1/2 (With Port)	9091001-10		X	X
760	Coupling Half Lineset 3/8	9091001-02		X	X
765	Coupling Half Lineset 3/8 (With Port)	9091001-04		X	X
766	Coupling Half Mounting Flange 3/8	9091001-03		X	X
767	Coupling Half Mounting Flange 1/2	9091001-09		X	X
770	Fan Motor(I-O-M Only 115V)	9161110-01		X	
770	Fan Motor(I-O-M Only 230V)	9161110-02			X
775	Fan Shroud (I-O-M Only)	9131356-01		X	X
780	Fan Blade (I-O-M Only)	9131357-01		X	X
770	Fan Motor	1011180-99		X	
770	Fan Motor	1011179-99			X

34.0 EMF SERIES FLAKERS EMF 450, EMF800, EMF1106 AIR, WATER AND REMOTE

Item Code	Part Description	Part No.	EMF 450	EMF 800	EMF 1106
Shaded Item Code indicates updated information					
775	Fan Shroud	1011179-97			X
780	Fan Blade	1011179-98			X
V-BELT					
195	V-Belt	9111001-10		X	
195	V-Belt	9111001-14	X		
195	V-Belt	9111001-11			X
WATER COOLED					
800	Water Regulator Valve	9041010-01	X	X	X
805	Water Condenser	9141061-01	X		
805	Water Condenser	9141023-01		X	
805	Water Condenser	9141024-01			X
WATER FLOAT					
810	Water Float Inlet Line Assy	2041008-01	X	X	X
815	Water Float & Tank Assembly	9131032-01	X	X	X
820	Water Valve And Float Only	9131111-01	X	X	X
825	Water Float Bracket	3011172-01	X	X	X
WATER PURGE SYSTEM					
830	Purge Valve (115V)	9041083-01	X	X	
830	Purge Valve (230V)	9041083-02			X
835	Timer	9101148-01	X	X	X
840	Relay (115V)	9101084-01	X	X	
840	Relay (230V)	9101084-02			X
845	Relay Socket	9101083-01	X	X	X

REFRIGERANT CHARGE					
MODEL	REF TYPE	OZ.	SP*	DP	HP
EMF450 AIR	R404a	17	57		
EMF450 WATER	R404a	14	57	250	450
EMF800 AIR	R404a	25	45		
EMF800 WATER	R404a	16	45	250	350
EMF800 REMOTE	R404a	160	45		400
EMF1106 AIR	R404a	34	45		
EMF1106 WATER	R404a	15	45	250	400
EMF1106 REMOTE	R404a	160	45		400

*SP=SUCTION PRESSURE (PRESSURE WILL VARY +/- 5PSI DEPENDING ON AMBIENTS)

DP=DISCHARGE PRESSURE SETTING/WATER COOLED UNITS

HP=HIGH PRESSURE SAFETY CONTROL SETTING

34.0 EMF SERIES FLAKERS EMF 450, EMF800, EMF1106 AIR, WATER AND REMOTE

Item Code	Part Description	Part No.	EMF 450	EMF 800	EMF 1106
Shaded Item Code indicates updated information					

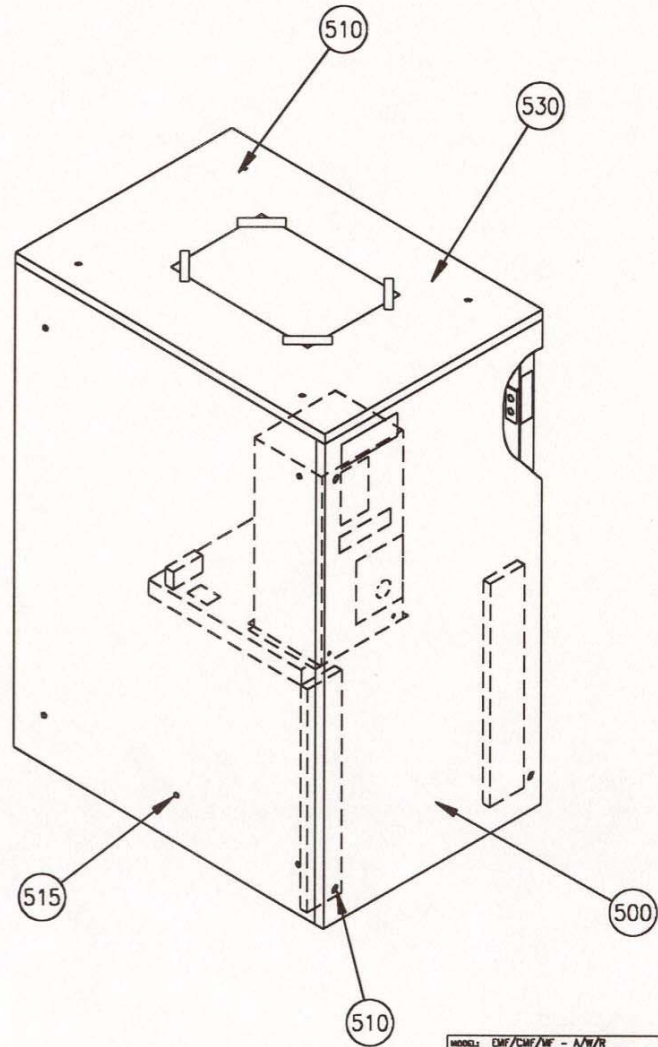
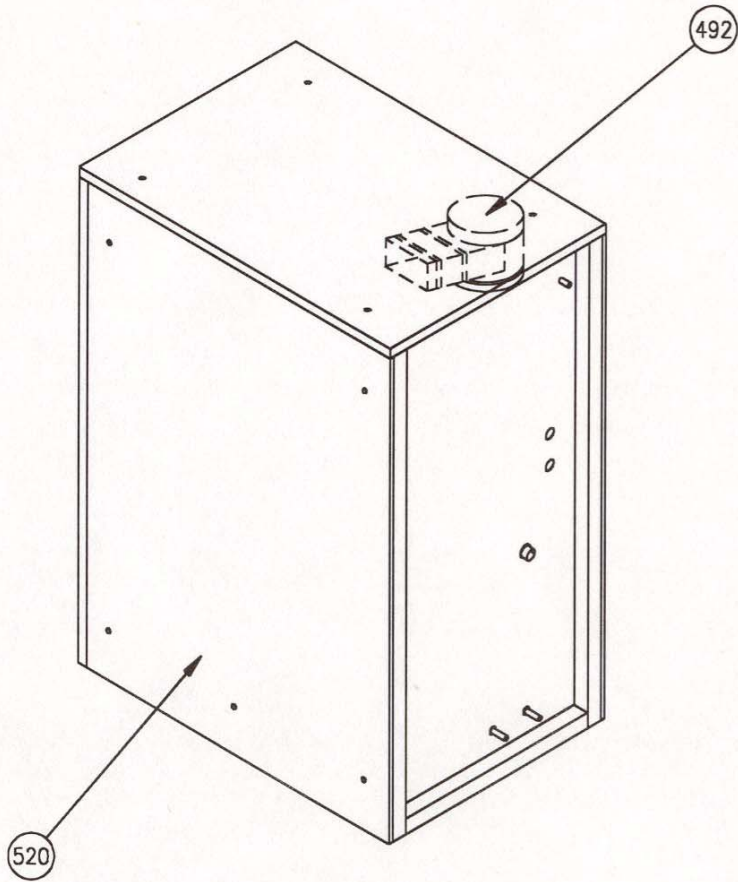
34.1 50HZ EMF SERIES FLAKERS EMF405, EMF 705, EMF1005 AIR

Item Code	Part Description	Part No.	GRP	EMF 405	EMF 705	EMF 1005
Shaded Item Code indicates updated information						
AIR COOLED						
20	Fan Motor	9161045-06	AC	X		
20	Fan Motor	9161059-01	AC		X	X
AUGER MOTOR						
105	Key - Motor 5/8" Shaft	9021028-01	AM	X	X	X
110	Auger Motor 5/8" Shaft	9161094-01	AM	X	X	X
COMPRESSOR AND COMPONENTS (*Kit Includes Drier and Start Components)						
200	*Compressor Kit	9181095-12	C	X		
200	*Compressor Kit	9181116-11	C		X	
200	*Compressor Kit	9181087-12	C			X
210	Run Capacitor	9181009-11	C		X	X
215	Start Capacitor	9181003-19	C		X	X
220	Start Relay	9181010-18	C		X	
220	Start Relay	9181010-19	C			X
DOWN CHUTE-GREY PLASTIC ROTO-MOLDED						
445	Switch-Modified	3051163-01	DCR	X	X	X
ELECTRICAL						
245	Contactora - 1 Pole 230V	9101002-04	E	X	X	X
260	Timer Delay Module 230V	9101140-02	E	X	X	X
265	Relay-Auger Motor 230V	9101170-02	E	X	X	X

REFRIGERANT CHARGE			
MODEL	REF TYPE	OZ.	SP
EMF405AIR	R404a	34	45
EMF705 AIR	R404a	34	45
EMF1105 AIR	R404a	34	45

*SP=SUCTION PRESSURE (PRESSURE WILL VARY +/- 5PSI DEPENDING ON AMBIENTS)

EMF FLAKERS

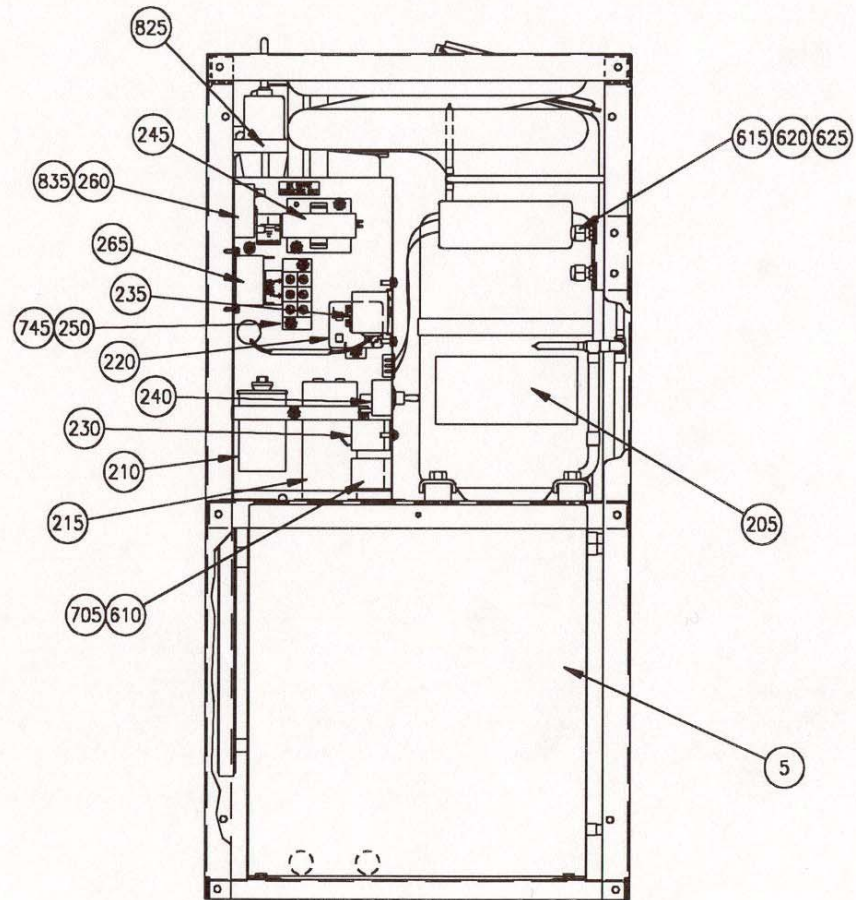


MODEL: EMF/CMF/MF - A/W/R
 RESTRICTED, CONFIDENTIAL DOCUMENT
 This drawing and all information shown hereon are the exclusive property of the High Equipment Company and are not to be used, copied, or reproduced in any form without the written consent of the High Equipment Company. In case of any dispute, the High Equipment Company shall be the sole arbiter of the meaning of the information shown hereon and shall be the final authority.

ICE-O-MATIC
 A WILKINSON COMPANY

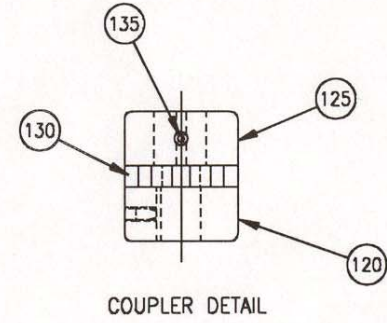
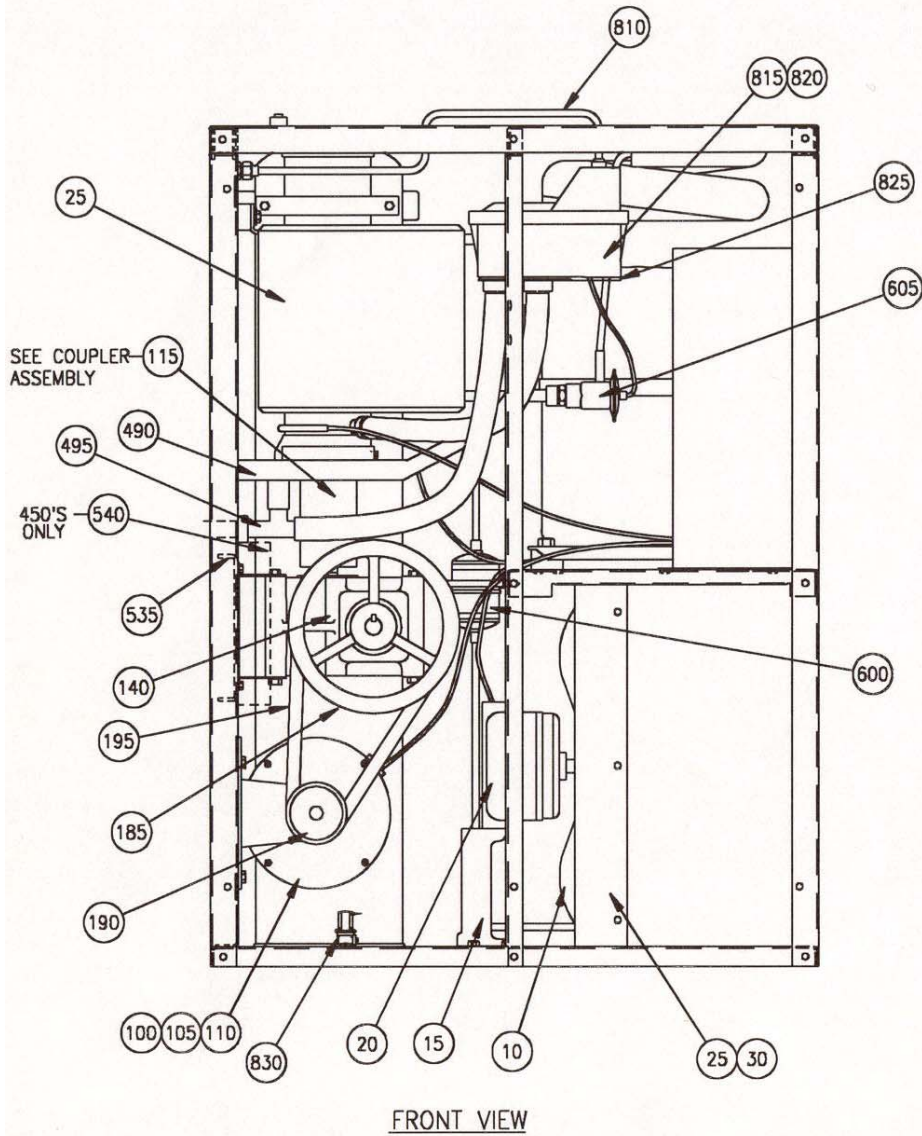
PANEL ASSEMBLY

EMF FLAKERS

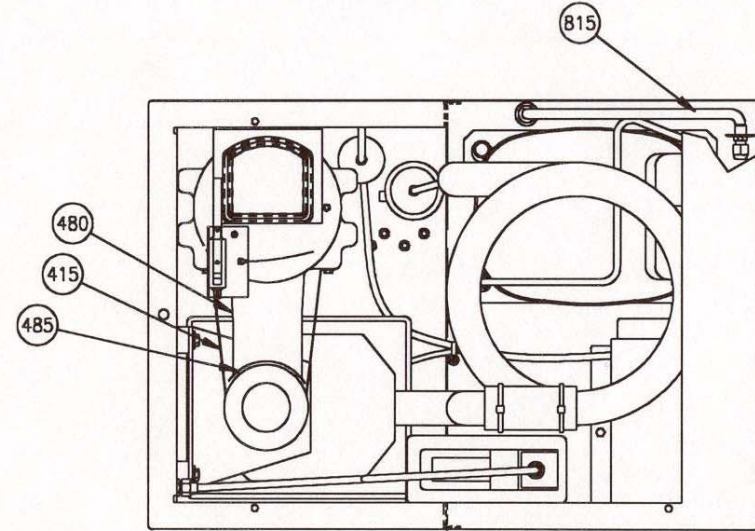


MODEL: MF/DMF/DMF-A/R
 RESTRICTED, CONFIDENTIAL DOCUMENT
 This drawing and all information shown herein are the exclusive property of the High Equipment Company, and are submitted only on a confidential basis. The recipient agrees not to reproduce the drawing, to make it open to any other party, or to make any other use of the information shown herein without the prior written consent from the High Equipment Company.
ICE-O-MATIC
 A WALKER COMPANY
 CHASSIS ASSEMBLY
 SCALE: 1/8" = 1"

EMF FLAKERS



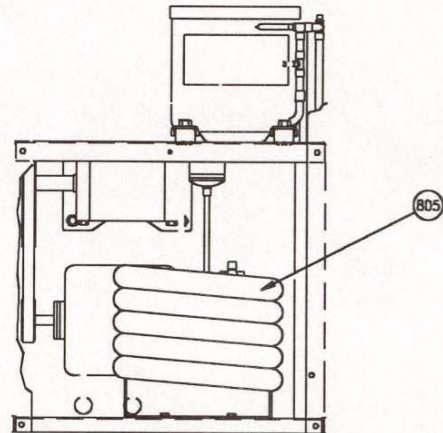
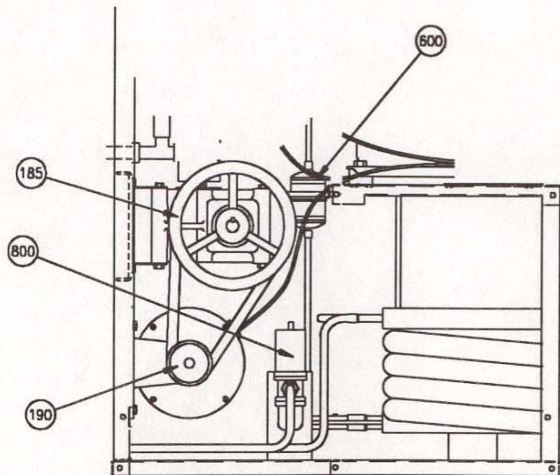
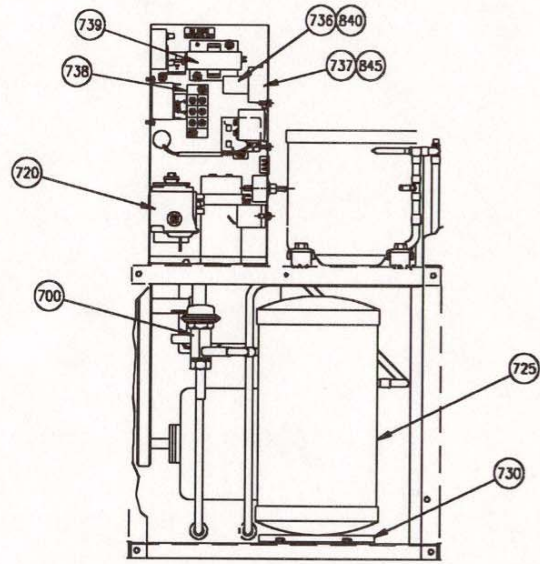
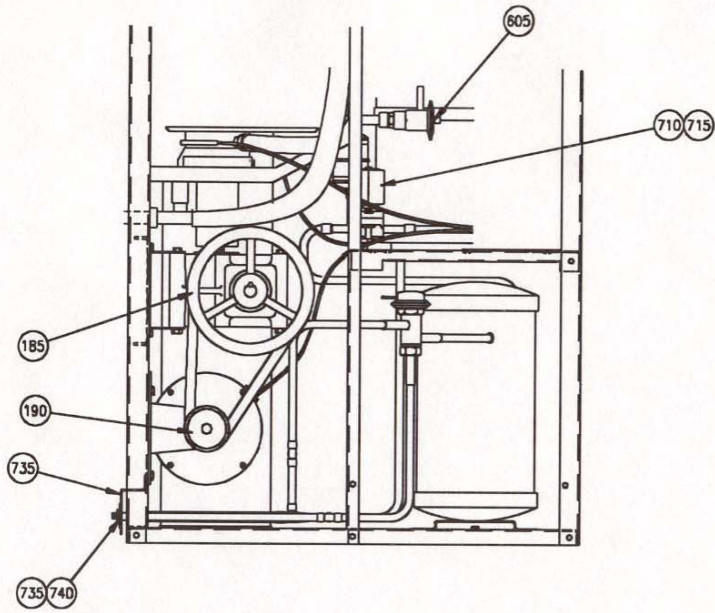
COUPLER DETAIL



TOP VIEW

MODEL: MF/CMF/EMF - A/T/R	ICE-O-MATIC <small>A GENERAL ELECTRIC COMPANY</small>
RESTRICTED, CONFIDENTIAL DOCUMENT	
<small>This drawing and all information shown herein are the exclusive property of the High Frequency Corporation and are controlled only on a confidential basis. The recipient agrees not to reproduce this drawing, to return it upon request, and that no disclosure of its contents or the information shown herein will be made in a third party without prior written consent from the High Frequency Corporation.</small>	
TITLE: CHASSIS ASSEMBLY SCALE: 1:100 (SEE MF1000-2)	

EMF FLAKERS



MODEL: MF, CMF, EMF 1000 A/W/R

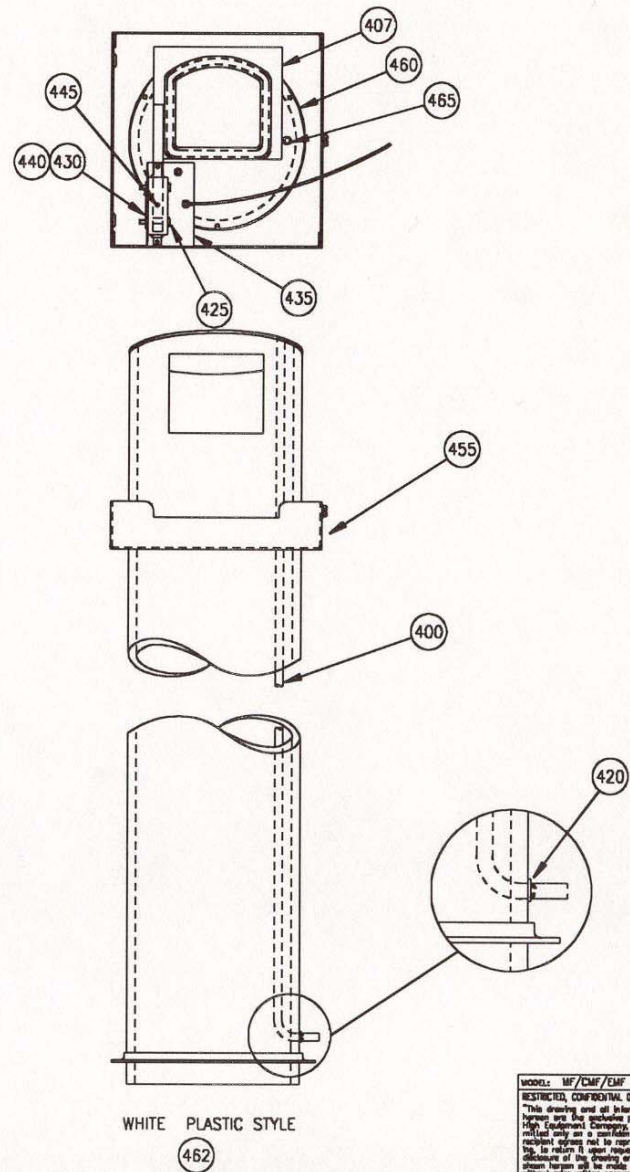
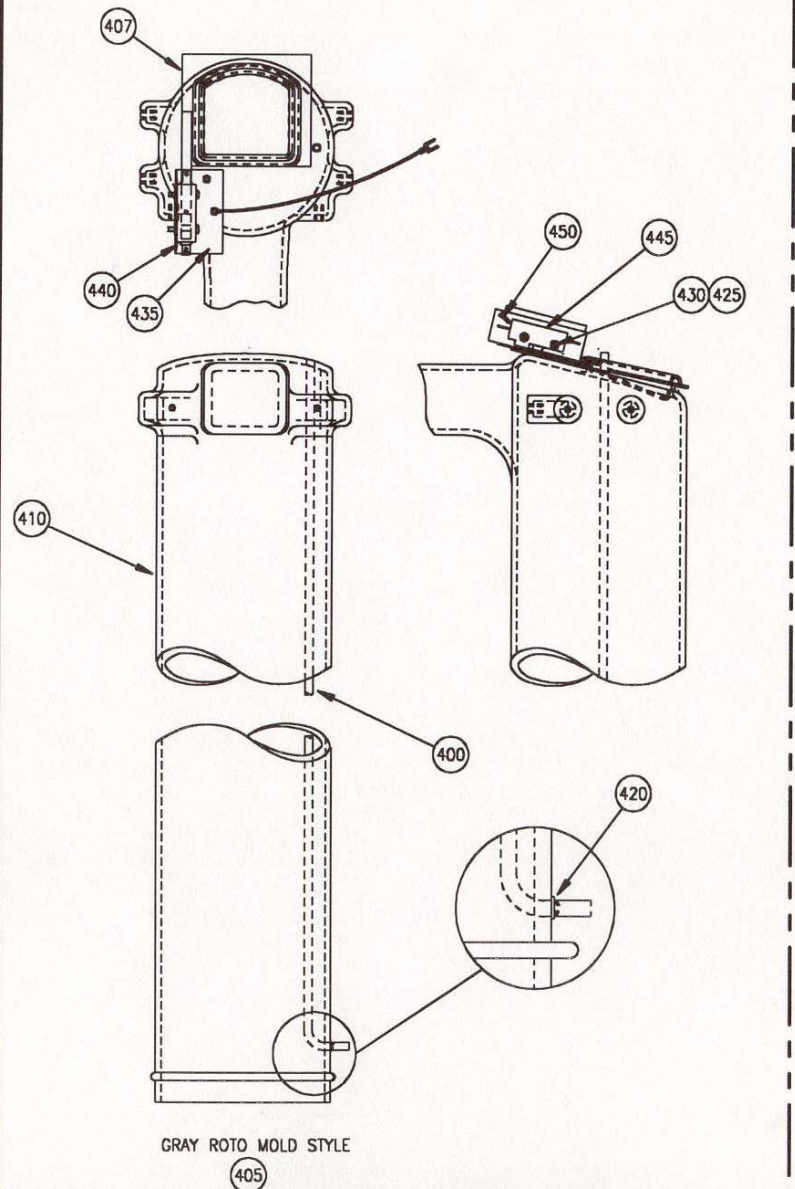
RESTRICTED, CONFIDENTIAL DOCUMENT
 This drawing and all information appearing hereon are the exclusive property of the High Equipment Company, and are submitted only on a confidential basis, the recipient agreeing not to reproduce the drawing, to make it open to others, and that no disclosure of the drawing or the information shown hereon will be made to a third party without prior written consent from High Equipment Company.

ICE-O-MATIC
 A TRU-TEMP COMPANY

ASSEMBLIES
 CONDENSER

SCALE: 1"=1'-0" 1/4"=1'-0" MF1000-3

EMF FLAKERS

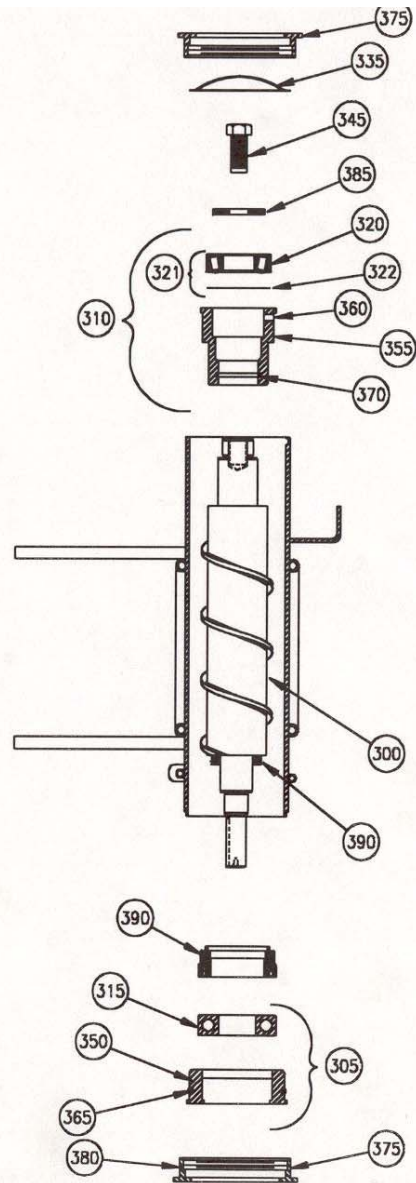


MODEL: MF/CMF/EMF - A/W/R
 RESTRICTED, CONFIDENTIAL DOCUMENT
 This drawing and all information herein are the exclusive property of the
 High Equipment Company, and are not
 to be used in any way without the
 express written consent of the
 High Equipment Company. No part
 of this drawing or the information
 shown herein shall be made available to any third party
 without prior written consent from the High Equipment Company.

ICE-O-MATIC
 A KOBALTY COMPANY

SIZE: DOWN CHUTE ASSEMBLY
 SHEET 1 OF 1

EMF FLAKERS

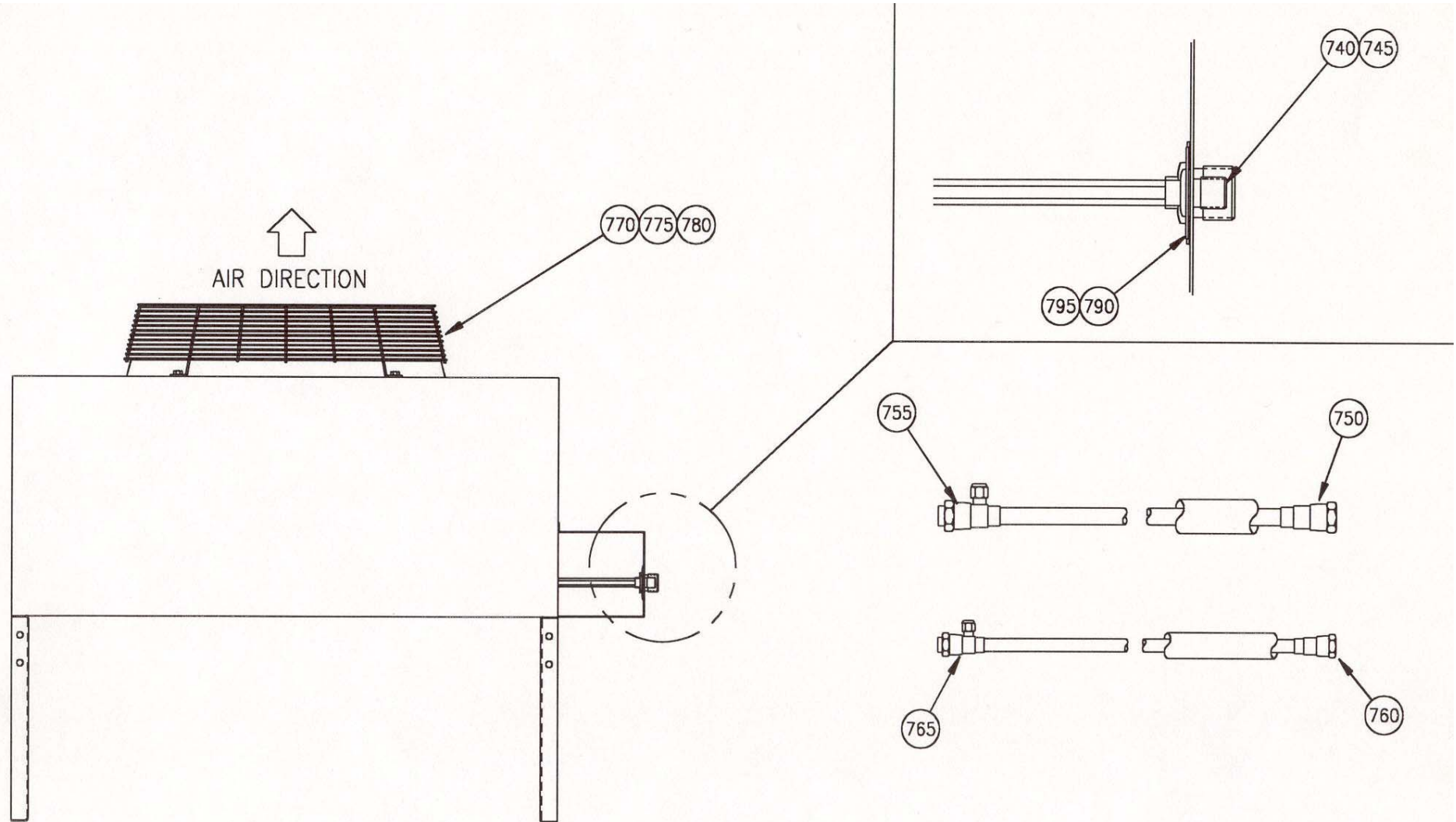


RESTRICTED CONFIDENTIAL DOCUMENT
 This drawing and all information shown herein are the exclusive property of the High Equipment Company, and are authorized only on a confidential basis. The recipient agrees not to reproduce the drawing, to make it open, copied, used, or disclosed in the future, or to disseminate such information without prior written consent from the High Equipment Company.

ICE-O-MATIC
 A. J. K. M. Co. (Incorporated)

TITLE: EVAPORATOR ASSEMBLY
 SCALE: 1" = 1/2" (SEE LIST)

EMF FLAKERS



MODEL "B" SERIES AIR/WATER/REMOTE
RESTRICTED, CONFIDENTIAL DOCUMENT
 This drawing and all information herein are the exclusive property of the High Equipment Company, and are intended only as a confidential guide. The customer agrees not to reproduce the drawing, in whole or in part, or to disseminate the drawing or the information contained herein.
ICE-O-MATIC
 A PERMABOND COMPANY
 REMOTE CONDENSOR