

8.0 EC SERIES CUBER EC806-EC1006 AIR, WATER AND REMOTE

Item Code	Part Description	Part Number	GRP	EC 806	EC 1006
AIR COOLED					
5	Air Condenser	9141103-01	AC	X	X
10	Fan Blade	9131332-02	AC	X	
10	Fan Blade	9131333-01	AC		X
15	Fan Motor	9161089-03	AC	X	X
20	Fan Motor Bracket	3012527-01	AC	X	X
25	Fan Shroud	3012741-01	AC		X
25	Fan Shroud	3012742-01	AC	X	
COMPRESSOR AND COMPONENTS (*Kit Includes Drier and Start Components)					
100	*Compressor-Kit Air & Water-Cope-CS10K6E-PFV-235	9181106-11	C	X	
105	Run Capacitor-Copeland-CS10K6E-PFV-235	9181009-16	C	X	
110	Start Capacitor-Copeland-CS10K6E-PFV-235	9181003-07	C	X	
115	Start Relay-Copeland-CS10K6E-PFV-235	9181010-12	C	X	
100	*Compressor Kit-Remote-Copeland-CS12K6E-PFV-235	9181107-11	C	X	
100	*Compressor Kit-Air & Water-Copeland-CS12K6E-PFV-235	9181107-11	C		X
105	Run Capacitor-Copeland-CS12K6E-PFV-235	9181009-16	C	X	X
110	Start Capacitor-Copeland-CS12K6E-PFV-235	9181003-07	C	X	X
100	*Compressor Kit EC1007 3 Phase A-W-R	9181107-03	C		X
100	*Compressor Kit-Remote-CS14K6E-PFV-235	9181090-11	C		X
105	Run Capacitor-Copeland-CS14K6E-PFV-235	9181009-12	C		X
110	Start Capacitor-Copeland-CS14K6E-PFV-235	9181003-19	C		X
115	Start Relay-Copeland-(CS12K6E/CS14K6E)-PFV-235	9181010-10	C	X	X
ELECTRICAL					
205	Bin Control Thermostat	9041055-01	E	X	X
210	Contactora-1 Pole 230V	9101002-04	E	X	X
220	High Temp Safety Thermostat	9041087-01	E	X	X
225	Relay 230V	9101084-02	E	X	X
230	Relay Socket	9101083-01	E	X	X
236	Switch Assy-Switch And Bracket	2061471-03	E	X	X
240	Switch-Bin Control Limit (Curtain)	9101124-02	E	X	X
245	Switch-On/Off/Wash (Rocker)	9101195-01	E	X	X
250	Switch-Purge (Rocker)	9101139-03	E	X	X
255	Timer Module	9101148-01	E	X	X
260	Water Pump Cordset	9101218-06	E	X	X
EVAPORATOR					
300	Evaporator Plastic Bottom	9051135-04	EV	X	X
305	Evaporator Plastic Side Panel LH	9051170-04	EV	X	X
310	Evaporator Plastic Side Panel RH	9051170-03	EV	X	X
315	Evaporator Plastic Top-Spillway	9051135-05	EV	X	X
320	Evaporator Plate Assy-Full Cube - RH TUBES	2051126-81	EV	X	X
320	Evaporator Plate Assy-Half Cube - RH TUBES	2051126-82	EV	X	X
320	Evaporator Plate Assy-Full Cube - LH TUBES	2051125-81	EV	X	X
320	Evaporator Plate Assy-Half Cube - LH TUBES	2051125-82	EV	X	X
HARVEST MOTOR ASSEMBLY					
900	Bushing - Large	9051001-13	HA	X	X
905	Clutch (Cam) 160 Degree	9131190-01	HA	X	X
910	Connecting Rod	9051057-01	HA	X	X
915	Drip Shield	3012280-01	HA	X	X
920	Harvest Motor Assembly w/.219 S/S 230V	2061962-02S	HA	X	X
925	Hex Nut 10 x 32 (Swivel/Shaft)	9031005-03	HA	X	X
930	Probe Motor (230V)	9161031-01	HA	X	X
935	Probe Shaft for 2061620-06S	9131189-01	HA	X	X
935	Probe Shaft for 2061962-02S	9021102-01	HA	X	X

8.0 EC SERIES CUBER EC806-EC1006 AIR, WATER AND REMOTE

Item Code	Part Description	Part Number	GRP	EC 806	EC 1006
HARVEST MOTOR ASSEMBLY (Continued)					
940	Screw Shoulder (Rod/Clutch)	9031119-01	HA	X	X
945	Screw #4 - 40 x 3/4 (Micro Switch)	9031008-16	HA	X	X
950	Screw #6 - 32 x 1/2 (Motor)	9031019-08	HA	X	X
955	Speed Nut Plate (Switch To Bracket)	9031120-01	HA	X	X
960	Switch Insulator (Micro)	3051145-01	HA	X	X
965	Switch - Cam (Micro)	9101160-01	HA	X	X
970	Swivel for 9131189-01	9021017-02	HA	X	X
975	Washer - Flat #10, Stainless	9031003-03	HA	X	X
MISCELLANEOUS					
405	Hose Clamp #14	9021010-03	M	X	X
410	Hose Clamp #18	9021010-04	M	X	X
420	Ice Deflector Kit (W/O Thermo-well)	1051026-01	M	X	X
425	Ice Deflector Kit (With Thermo-well)	1051026-03	M	X	X
430	Ice Deflector	3012522-01	M	X	X
431	Plastic Nut (Square Retainer)	9031141-01	M	X	X
435	Screw Retainer (Rubber Washer)	9031004-19	M	X	X
440	Screw-Water Trough-#10-16 x 1/2 SS	9031046-17	M	X	X
445	Screw-Water Dist. Tube Assy-#8-32 x 3/8	9031122-01	M	X	X
446	Water Trough Clip	3012545-01	M	X	X
450	Water Trough Guard	3012493-01	M	X	X
PANELS					
	Paint Grey Touch-up (Spray Can)	5011077-20	P	X	X
502	Control Box Side Cover	NLA	P	X	X
504	Control Box Panel Top	NLA	P	X	X
506	Front Panel, Stainless	NLA	P	X	X
506	Front Panel, Grey	2031374-03	P	X	X
508	Plastic Panel Divider	NLA	P	X	X
509	Plastic Panel Right Hand	NLA	P	X	X
510	Plastic Panel Left Hand	NLA	P	X	X
514	Rear Brace	3012515-01	P	X	X
516	Rear Panel	3021710-01	P	X	X
520	Screw #8-18 x 3/4	9031046-14	P	X	X
	Screw #10-16 SS	9031046-17	P	X	X
520	Screw #8 - 18 x 1-1/2, Stainless	9031046-18	P	X	X
522	Screw #8-18 x 3/8, Stainless	9031046-21	P	X	X
522	Screw #8-18 x 3/8 (Plated)	9031074-01	P	X	X
528	Side Panel w/o Louvers LH, Grey	NLA	P	X	X
528	Side Panel LH, Stainless	NLA	P	X	X
530	Side Panel w/ Louvers RH, Stainless	3021559-02	P	X	X
530	Side Panel w/ Louvers RH, Grey	NLA	P	X	X
536	Top Panel, Grey	NLA	P	X	X
536	Top Panel, Stainless	3021433-01	P	X	X
REFRIGERATION					
600	Expansion valve-Y958-BISE-1 Externally Equalized	9151006-14	REF	X	X
600	Expansion Valve Tube Assembly*	2041665-01	REF	X	X
600	Expansion Valve - Internally Equalized	9151006-12	REF	X	X
600	Expansion Valve Tube Assembly*	2041627-01	REF	X	X
605	Distributor (Refrigerant)	9151061-01	REF	X	X
615	Filter Drier	9151004-04	REF	X	X
620	High Pressure Control-450 PSI	9041051-04	REF	X	X
625	Hot Gas Valve Assy PARKER 230V	9151090-01	REF	X	X
630	Hot Gas Valve Coil - PARKER 230V	9151091-92	REF	X	X

8.0 EC SERIES CUBER EC806-EC1006 AIR, WATER AND REMOTE

Item Code	Part Description	Part Number	GRP	EC 806	EC 1006
REFRIGERATION (Continued)					
635	Low Pressure Timing Initiate	9041094-01	REF	X	X
640	Service Valve Assy	2101160-01	REF	X	X
645	Service Valve Core	9091086-02	REF	X	X
650	Service Valve Cap	9091086-03	REF	X	X
*Includes Brazed Expansion Valve, Distributor And Tubing Assembly					
REMOTE					
700	Accumulator Assembly	2091175-01	REM	X	X
715	Liquid Line Solenoid Body - ALCO	9151123-02	REM	X	X
720	Liquid Line Solenoid Coil - ALCO 230V	9151123-04	REM	X	X
720	Liquid Line Solenoid Coil - PARKER 230V	9151091-92	REM	X	X
725	Mixing Valve	9151027-06	REM	X	X
730	Pump Down Control	9041040-01	REM	X	X
735	Receiver	9151060-01	REM	X	X
REMOTE CONDENSER					
740	Coupling Half Bulkhead 1/2	9091001-12	RC	X	X
745	Coupling Half Bulkhead 3/8	9091001-11	RC	X	X
750	Coupling Half Lineset 1/2	9091001-08	RC	X	X
755	Coupling Half Lineset 1/2 w/port	9091001-10	RC	X	X
760	Coupling Half Lineset 3/8	9091001-02	RC	X	X
765	Coupling Half Lineset 3/8 w/port	9091001-04	RC	X	X
770	Fan Blade (Ice-O-Matic Manuf. Only)	9131357-01	RC	X	X
775	Fan Motor (Ice-O-Matic Manuf. Only)	9161110-02	RC	X	X
780	Fan Shroud (Ice-O-Matic Manuf. Only)	9131356-01	RC	X	X
770	Fan Blade (Larkin Only)	1011179-98	RC	X	X
775	Fan Motor (Larkin Only) (230V)	1011179-99	RC	X	X
780	Fan Shroud (Larkin Only)	1011179-97	RC	X	X
WATER COOLED					
790	Water Condenser	9141020-01	WC	X	X
795	Water Valve	9041059-01	WC	X	X
797	Drier	9151004-04	WC	X	X
WATER DISTRIBUTION					
802	Water Distribution Tube	2041338-01	WD	X	X
805	Drop Adapter-Used With-9091083-01	9091074-01	WD	X	X
806	Water Inlet Fitting-Used With-9091074-01	9091083-01	WD	X	X
810	Water Inlet Polyurethane Tube (28")	6021032-01	WD	X	X
815	Water Pump Tube	9051254-01	WD	X	X
817	Water Purge Drain Tube	9051280-01	WD	X	X
820	Water Splash Curtain	9051154-12	WD	X	X
825	Water Trough Kit (Trough And Support)	1051073-01	WD	X	X
825	Water Trough	9051153-06	WD	X	X
WATER FLOAT					
845	Water Float Assy (Top Mount)	9131111-01	WF	X	X
850	Water Float Deflector	3051162-01	WF	X	X
WATER PUMP					
850	Water Pump Bracket, Stainless Steel	3012509-01	WP	X	X
875	Water Pump 3000 RPM 230V	9161079-03	WP	X	X
WATER PURGE VALVE					
880	Water Purge Valve Assy	9041014-04	WPV	X	X
890	Water Purge Valve Coil 230V	9041014-91	WPV	X	X

REFRIGERANT CHARGE	REF TYPE	OZ.	PRESSURES	
			LP	DP
EC806 AIR COOLED-BRISTOL	R404A	34	35	
EC806 AIR COOLED-COPELAND	R404A	41	35	
EC806 WATER COOLED	R404A	29	35	250
EC806 REMOTE	R404A	240	35	
EC1006 AIR COOLED	R404A	50	35	
EC1006 WATER COOLED	R404A	32	35	250
EC1006 REMOTE	R404A	240	35	

LP=LOW PRESSURE/TIMER INITIATE CONTROL SETTING

DP=DISCHARGE PRESSURE SETTING/WATER COOLED CUBERS

HP=HIGH PRESSURE SAFETY CONTROL SETTING

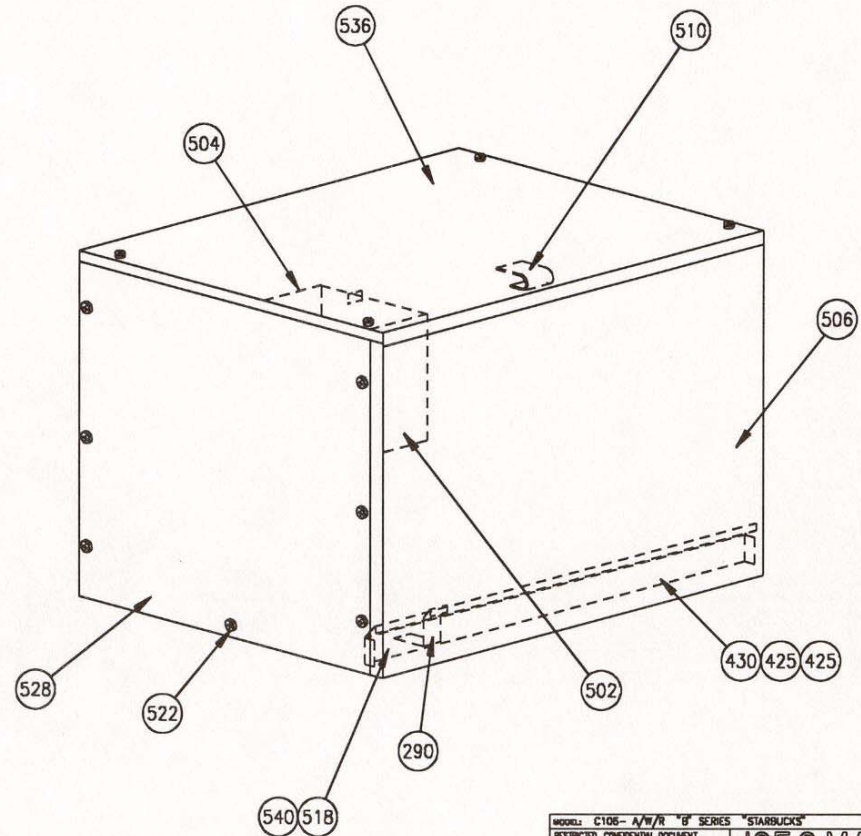
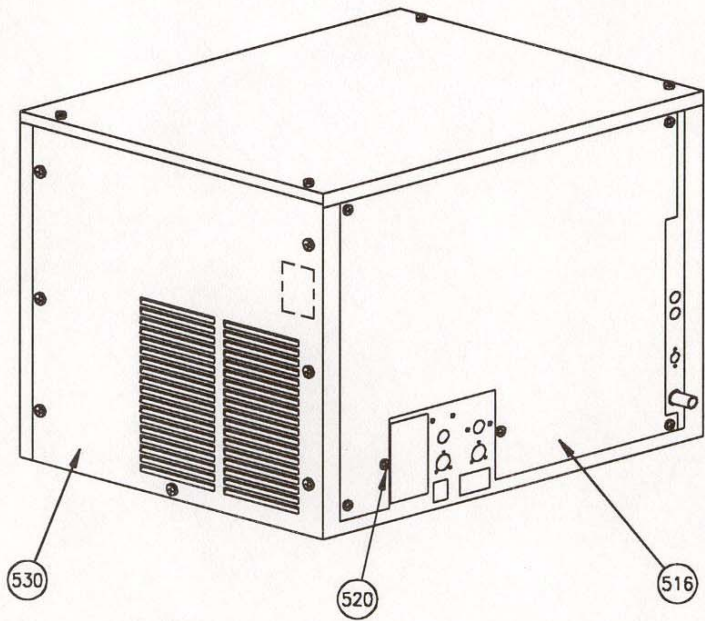
8.1 EC SERIES CUBER EC805-EC1005 AIR, WATER AND REMOTE

Item Code	Part Description	Part Number	GRP	EC 805	EC 1005
AIR COOLED					
5	Air Condenser	9141103-01	AC	X	X
10	Fan Blade	9131332-02	AC	X	
10	Fan Blade	9131333-01	AC		X
15	Fan Motor	9161089-03	AC	X	X
COMPRESSOR AND COMPONENTS (*Kit Includes Drier and Start Components)					
100	*Compressor Kit-Remote-Copeland-CS12K6E-PFJ-235	9181107-12	C	X	
105	Run Capacitor-Copeland-CS12K63-PFJ-235	9181009-16	C	X	
110	Start Capacitor-Copeland-CS12K6E-PFV-235	9181003-32	C	X	
	Start Relay-Copeland-CS12K6E-PFJ-235	9181010-04	C	X	
100	*Compressor Kit-Remote-CS14K6E-PFJ-235	9181090-12	C		X
105	Run Capacitor-Copeland-CS14K6E-PFJ-235	9181009-12	C		X
110	Start Capacitor-Copeland-CS14K6E-PFJ-235	9181003-07	C		X
115	Start Relay-Copeland-CS14K6E-PFJ-235	9181010-12	C		X
PANELS					
	Paint Grey Touch-up (Spray Can)	5011077-20	P	X	X
506	Front Panel, Stainless (European)	2031335-10	P	X	X
506	Front Panel, Grey (European)	2031374-04	P	X	X
WATER PUMP					
850	Water Pump Bracket, Stainless Steel	3012509-01	WP	X	X
875	Water Pump 230V 50/60	9161079-03	WP	X	X
WATER PURGE VALVE					
880	Water Purge Valve Assy	9041014-04	WPV	X	X
890	Water Purge Valve Coil 230V	9041014-91	WPV	X	X

REFRIGERANT CHARGE	REF TYPE	OZ.	PRESSURES	
			LP	DP
EC805 AIR COOLED	R404A	41	35	
EC805 WATER COOLED	R404A	29	35	250
EC805 REMOTE	R404A	240	35	
EC1005 AIR COOLED	R404A	50	35	
EC1005 WATER COOLED	R404A	32	35	250
EC1005 REMOTE	R404A	240	35	

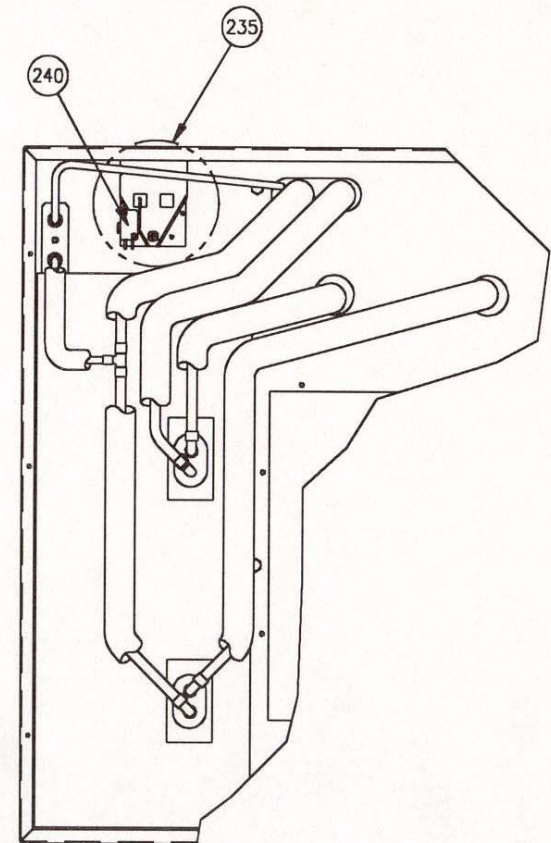
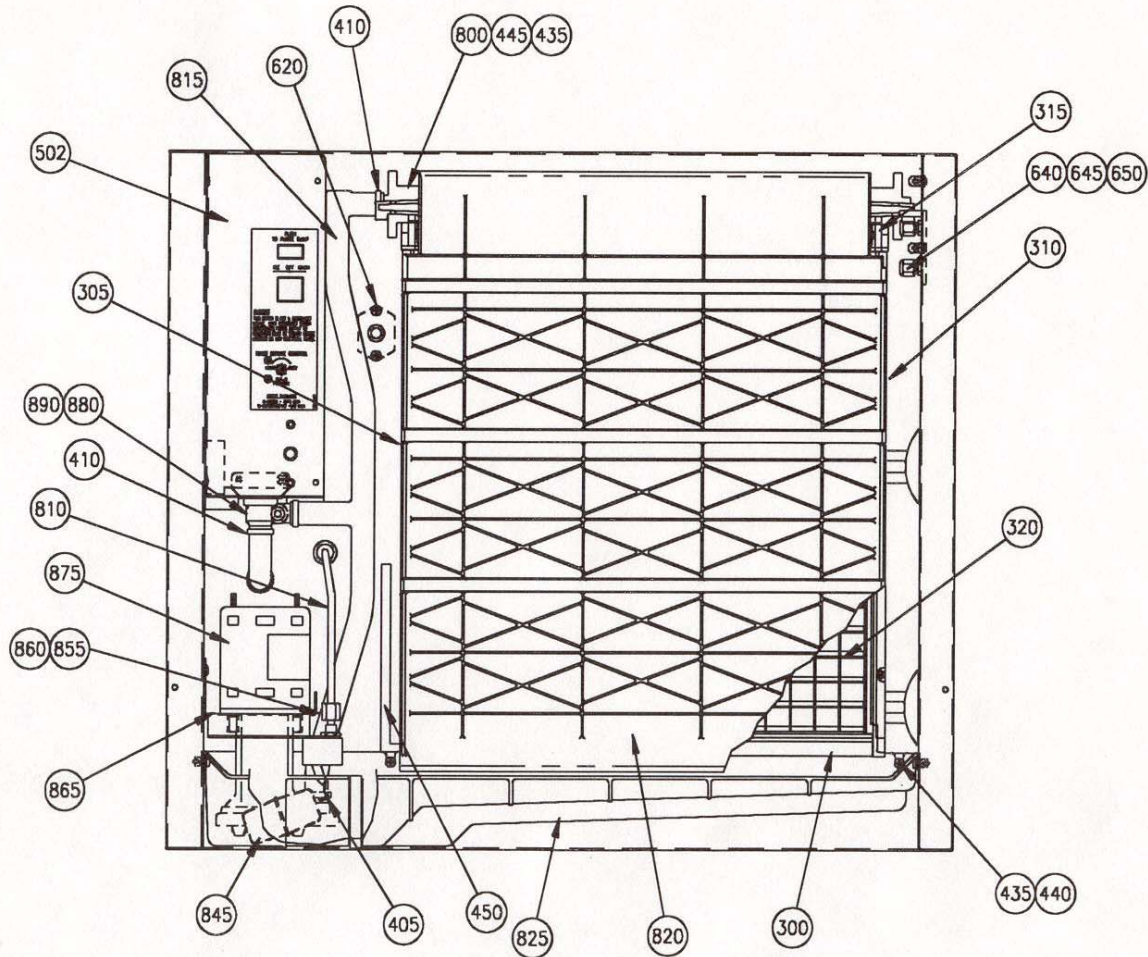
LP=LOW PRESSURE/TIMER INITIATE CONTROL SETTING
 DP=DISCHARGE PRESSURE SETTING/WATER COOLED CUBERS
 HP=HIGH PRESSURE SAFETY CONTROL SETTING

EC806-1006



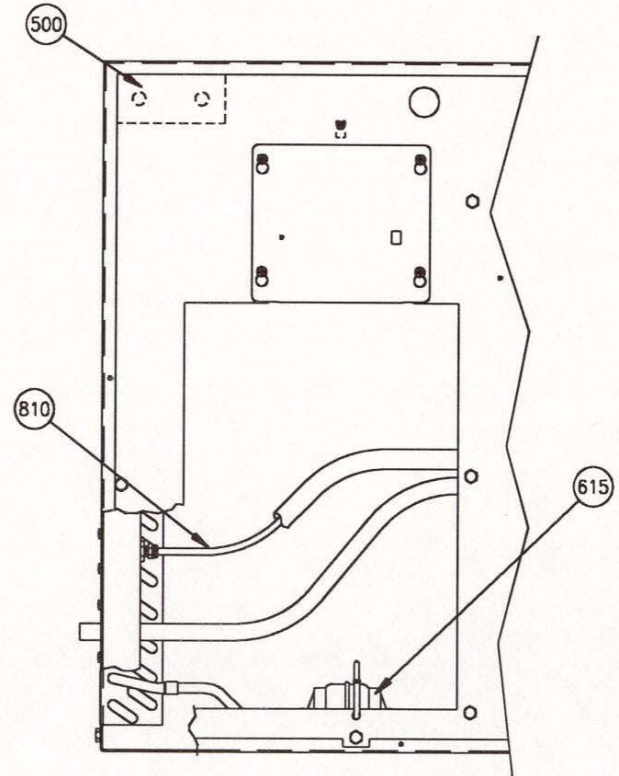
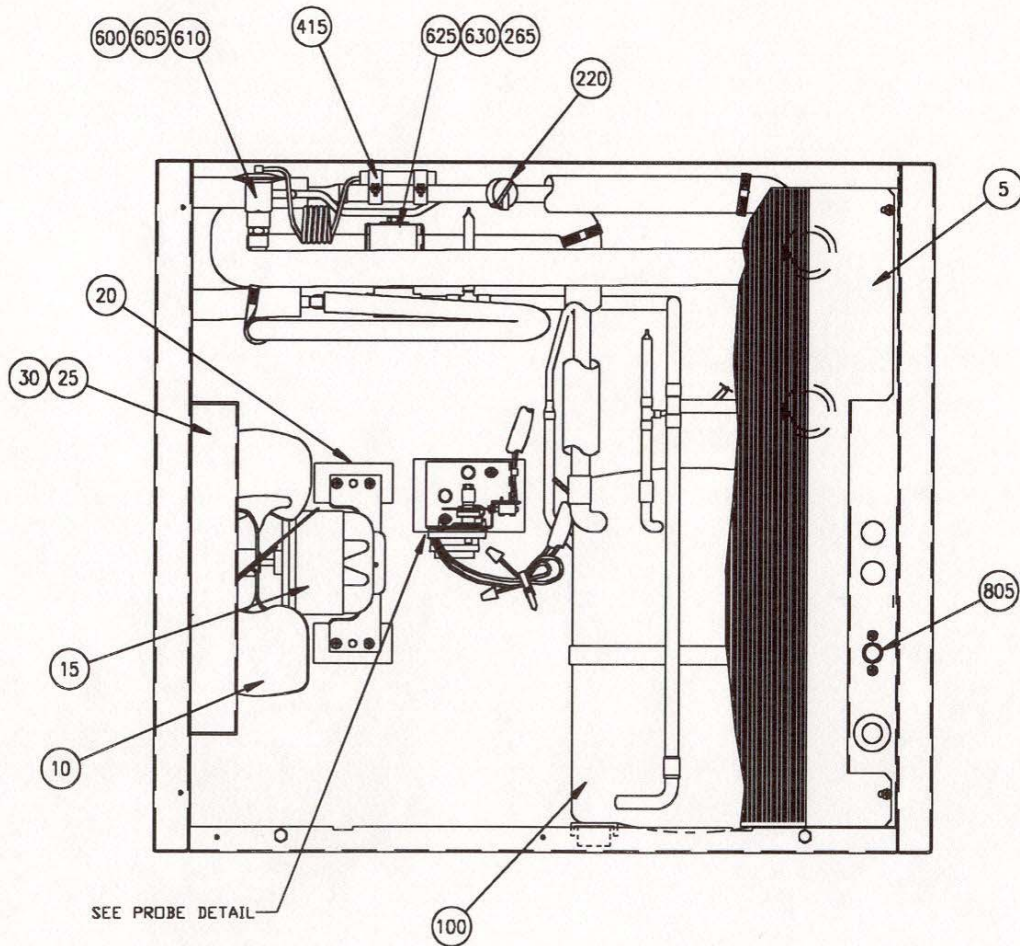
MODEL: C108-A/W/R "B" SERIES "STARBUCKS"	TITLE: PANEL ASSEMBLY
RESTRICTED, CONFIDENTIAL DOCUMENT	SCALE: 1=1
This drawing and all information shown hereon are the exclusive property of the High Equipment Company, and are submitted only on a confidential basis. The recipient agrees not to reproduce the drawing, to make it open request, and that no disclosure of the drawing or the information shown hereon will be made to a third party without prior written consent from High Equipment Company.	DATE: 1 OF 8 0/8
ICE-O-MATIC A FACILITY COMPANY	C108B-1

EC806-1006



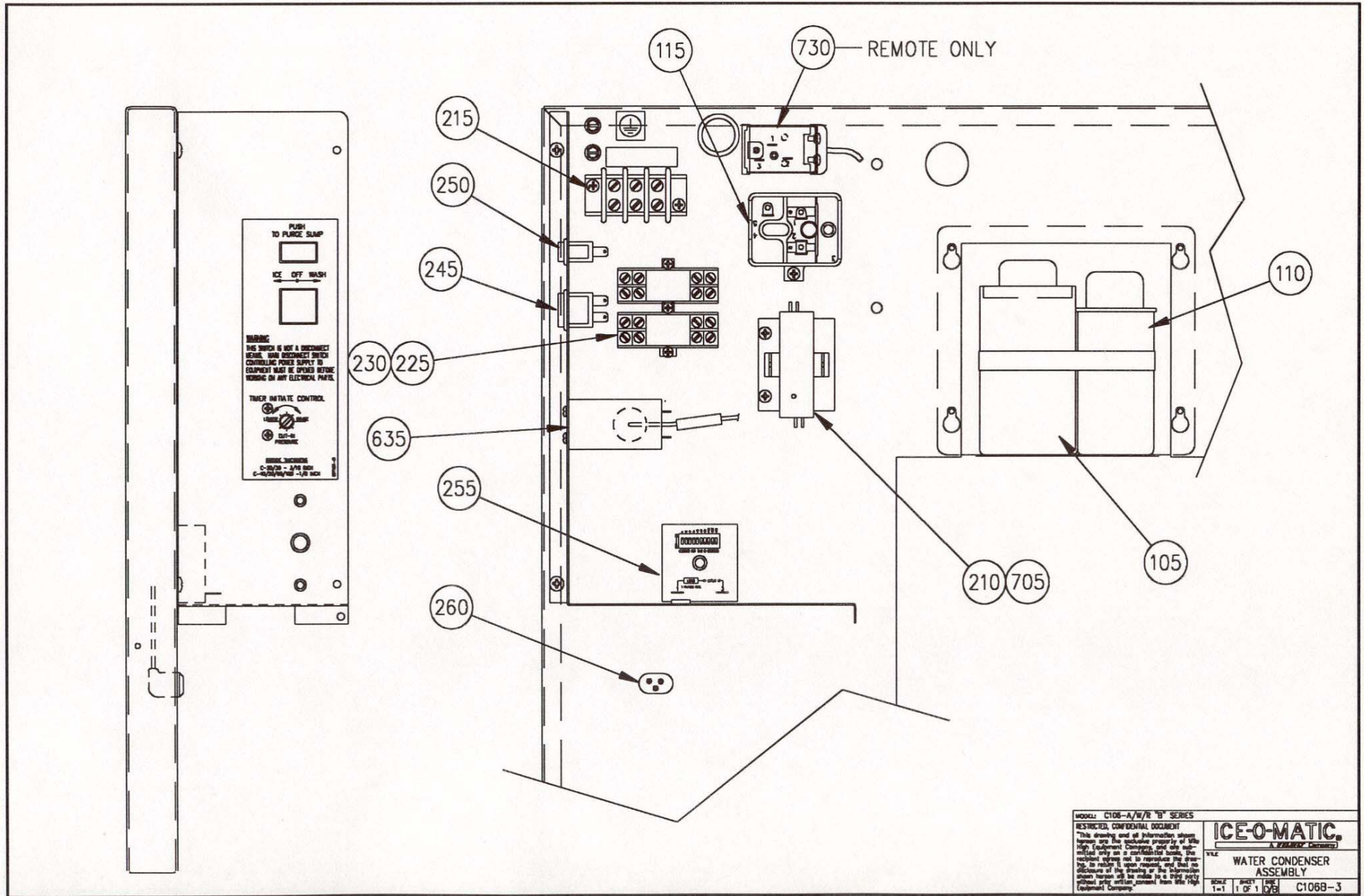
MODEL: C108 A/W/R "B" SERIES "STARBUCKS"	
RESTRICTED, CONFIDENTIAL DOCUMENT This drawing and all information shown herein are the exclusive property of the Equipment Company and are controlled only on a confidential basis. The recipient agrees not to reproduce the drawing, to return it upon request, and that no disclosure of the drawing or the information shown herein will be made to a third party without the written consent from the Equipment Company.	
ICE-O-MATIC A STARBUCKS COMPANY	
TITLE CHASSIS ASSEMBLY	
SCALE 1=1	SHEET NO. 1 OF 1
DATE C1068-2	

EC806-1006



MODEL: C106 A/B/R OF SERIES STARBUCKS
 RESTRICTED, CONFIDENTIAL DOCUMENT
 "This drawing and all information shown hereon are the exclusive property of the ICI Equipment Company and are submitted only on a confidential basis. The recipient agrees not to reproduce the drawings, to make any copies, and not to disclose the contents of the information shown hereon to any other person without the prior written consent from the ICI Equipment Company."
ICE-O-MATIC
 A PERMITS COMPANY
 TITLE: CHASSIS ASSEMBLY
 SCALE: 1 OF 1 SHEET: 1 OF 1 DATE: C106B-2

EC806-1006



MODEL: C106-A/W/R "B" SERIES

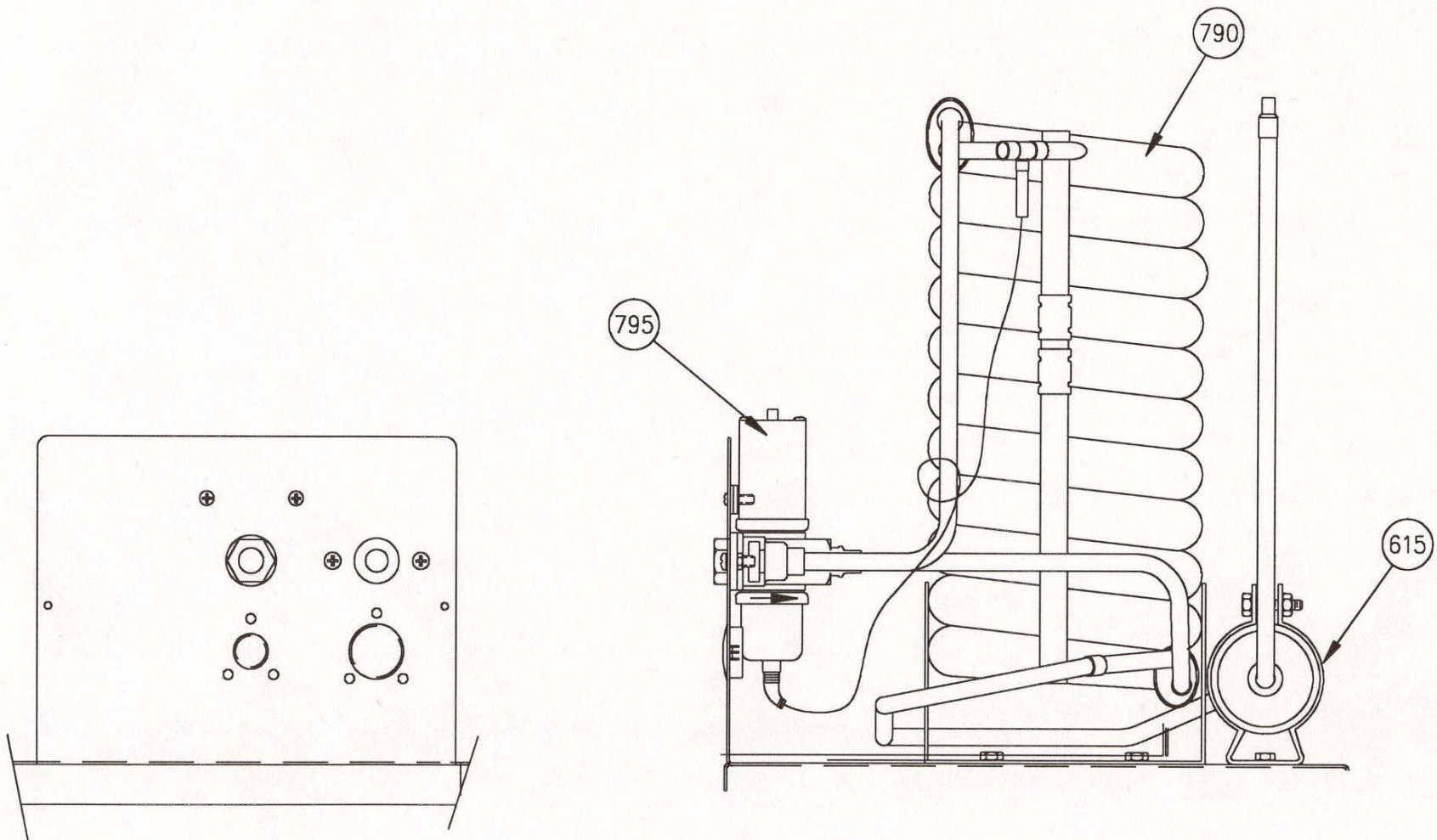
RESTRICTED, CONFIDENTIAL DOCUMENT
 This drawing and all information herein are the exclusive property of the High Equipment Company and are not to be reproduced in any form, in whole or in part, without the written consent of the High Equipment Company.

ICE-O-MATIC
 A FARMER COMPANY

WATER CONDENSER ASSEMBLY

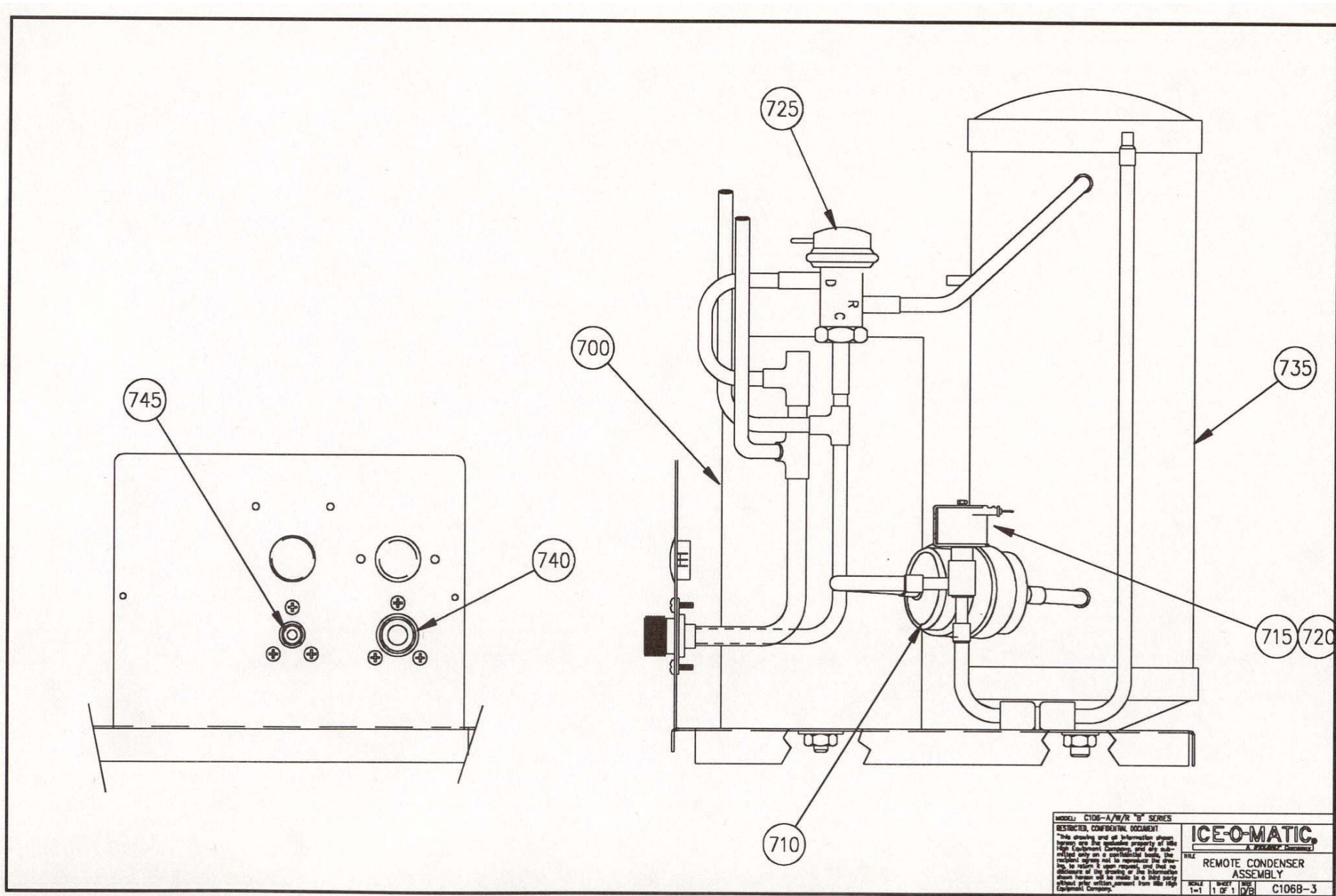
SCALE: 1=1 SHEET 1 OF 1 C106B-3

EC806-1006



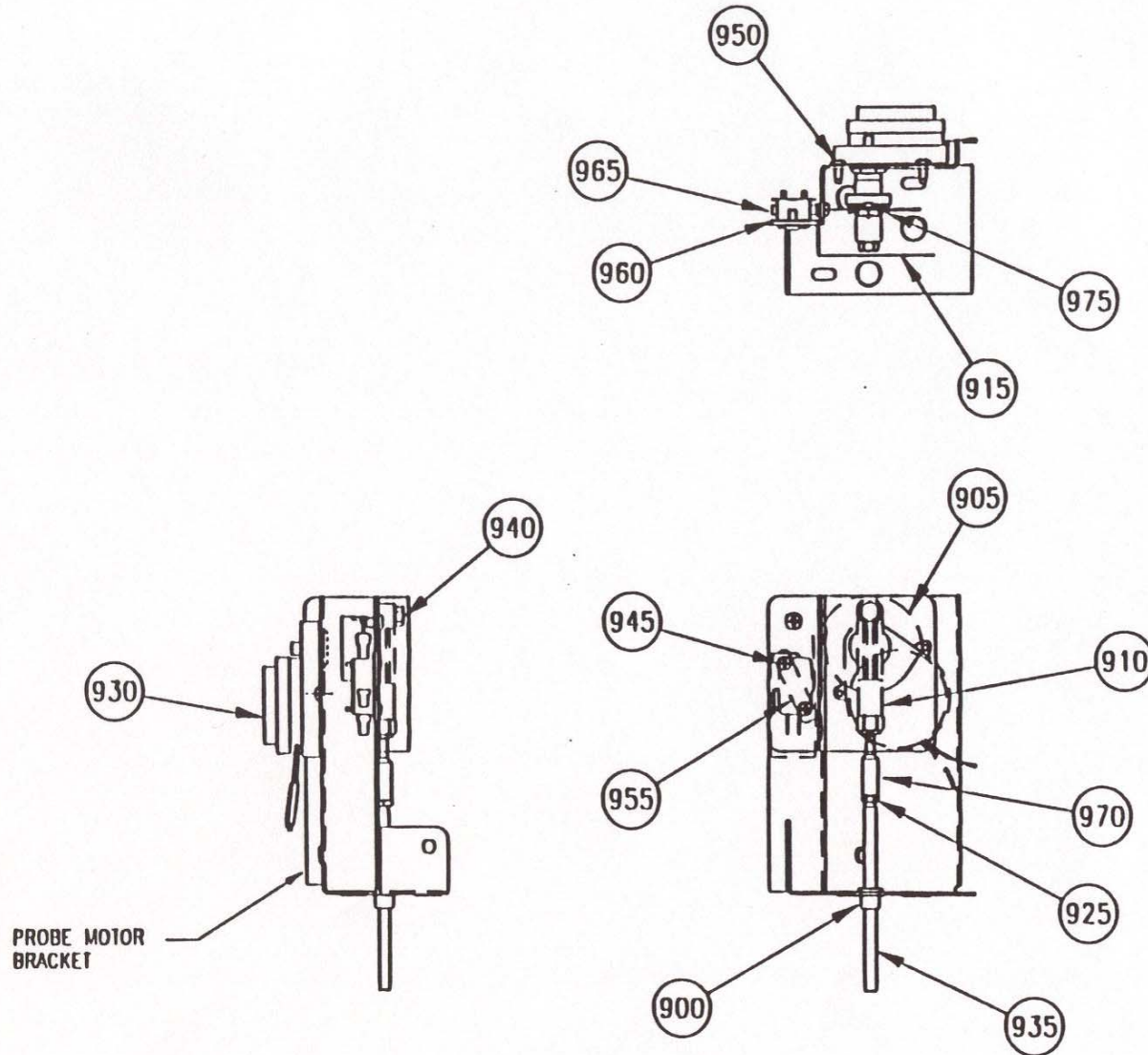
MODEL: C106-A/W/R "B" SERIES	
RESTRICTED, CONFIDENTIAL DOCUMENT	
*This drawing and all information shown herein are the exclusive property of the High Equipment Company, and are submitted only as a confidential loan. The recipient agrees not to reproduce the drawing, to utilize it, or to permit, and that no disclosure of any drawing or the information shown herein will be made in a third party without prior written consent from the High Equipment Company.	
ICE-O-MATIC. A PERKINS COMPANY	
TITLE: WATER CONDENSER ASSEMBLY	
SCALE: 1-1	SHEET: 1 OF 1
C106B-3	

EC806-1006



MODEL: C106-A/W/R "B" SERIES
RESTRICTED, CONFIDENTIAL DOCUMENT
This drawing and all information shown herein are the exclusive property of the High Equipment Company and its subsidiaries and may not be reproduced, stored, or transmitted in any form or by any means, electronic, mechanical, photocopying, recording, or by any information storage and retrieval system, without the prior written permission of the High Equipment Company. Any unauthorized use of this drawing is prohibited.
ICE-O-MATIC
A WILCOX COMPANY
REMOTE CONDENSER ASSEMBLY
SCALE: SHEET 1 OF 1
1-1 1 OF 1 1978 C106B-3

EC806-1006



HARVEST PROBE ASSEMBLY

<small>REPAIR AND SERVICE MANUAL This manual is for the use of the operator and service personnel only. It contains the instructions for operation, maintenance and troubleshooting of the equipment. It is the responsibility of the operator to read and understand the instructions before operating the equipment. It is the responsibility of the service personnel to read and understand the instructions before performing any maintenance or repair work. This manual is the property of ICE-O-MATIC and should be returned to the company when requested.</small>	ICE-O-MATIC PROBE ASSEMBLY 1971
---	--

EC806-1006

