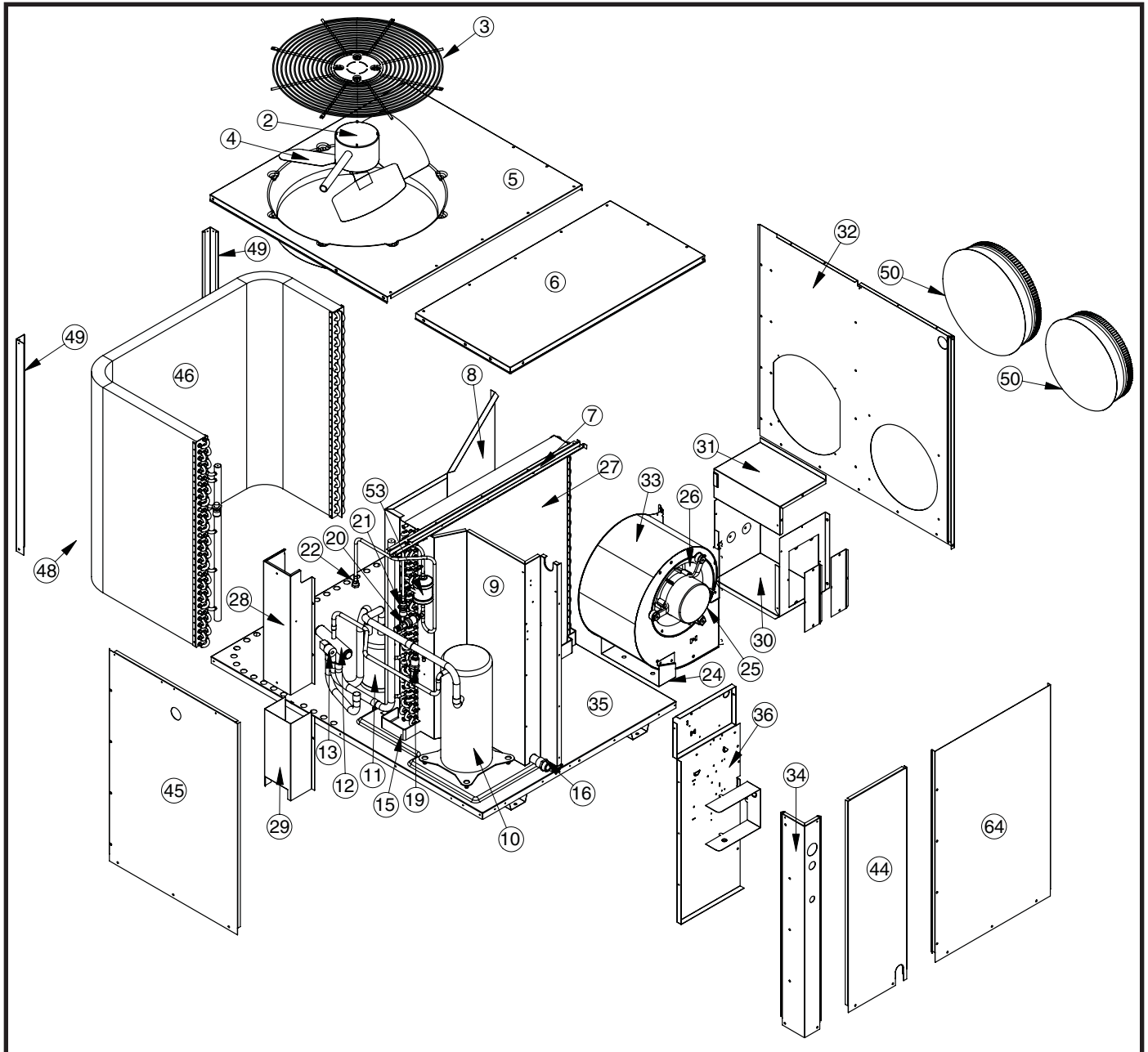


REPLACEMENT PARTS LIST

Single Package Heat Pump

(G)Q5RD Series

13 SEER Models



13 SEER Single Package Heat Pump - Model (G)Q5RD

ITEM NO.	PART #	DESCRIPTION	Q5RD-024K	GQ5RD-024K	Q5RD-030K	GQ5RD-030K	Q5RD-036K	GQ5RD-036K	Q5RD-042K	GQ5RD-042K	Q5RD-048K	GQ5RD-048K	Q5RD-060K	GQ5RD-060K	
			920131	920131G	920132	920132G	920133	920133G	920134	920134G	920135	920135G	920136	920136G	
1	606261	ACORN NUT	4	4	4	4	4	4	4	4	4	4	4	4	
2	622164	CONDENSOR MOTOR	1	1			1	1							
	622080				1	1									
	621721								1	1	1	1			
	621740												1	1	
3	669404	FAN GRILL	1	1	1	1	1	1	1	1	1	1	1		
4	667355	FAN BLADE	1	1			1	1							
	667278				1	1			1	1					
	667356										1	1			
	667369												1	1	
5	D02640BR	TOP PAN,LEFT	1	1	1	1	1	1	1	1	1	1	1		
6	D02650BR	TOP PAN, RIGHT	1	1	1	1	1	1	1	1	1	1	1		
7	D03290	DRAIN CHANNEL	1	1	1	1	1	1	1	1	1	1	1		
8	D03441R	DIVIDER PANEL ASSEMBLY	1	1											
	D03443R				1	1	1	1	1	1					
	D03444R										1	1			
	D03445R												1	1	
9	D03481R	BLOWER DIVIDER ASSEMBLY	1	1											
	D03483R				1	1	1	1	1	1					
	D03484R										1	1			
	D03485R												1	1	
10	919606	COMPRESSOR	1	1											
	918869				1	1									
	918870						1	1							
	920497								1	1					
	918872										1	1			
	919608												1	1	
11	668793	ACCUMULATOR	1	1	1	1									
	668794						1	1	1	1	1	1	1	1	
12	669465	REVERSING VALVE	1	1	1	1									
	669466						1	1	1	1	1	1	1	1	
13	669471	REVERSING VALVE COIL	1	1	1	1	1	1	1	1	1	1	1		
14	913852	OUTDOOR T-STAT KIT	1		1		1		1		1		1		
15	669187	DRAIN PAN	1	1	1	1	1	1	1	1	1	1	1	1	
16	663713	DRAIN TUBE ASSEMBLY	1	1	1	1	1	1	1	1	1	1	1	1	
17	669211	"P" - TRAP	1	1	1	1	1	1	1	1	1	1	1	1	
18	669184	ELBOW, 3/4 MPT	1	1	1	1	1	1	1	1	1	1	1	1	
19	664055	INDOOR RESTRICTOR	.055	1	1										
	664064				1	1									
	664070						1	1							
	664074								1	1					
	664076										1	1			
	664083										1	1	1	1	1
20	664046	OUTDOOR RESTRICTOR	.046	1	1										
	664054				1	1									
	664064						1	1							
	664062								1	1					
	664070										1	1			
	664067												1	1	1
21	663580	INDOOR DISTRIBUTOR	1	1											
	663581				1	1									
	663584						1	1	1	1					
	663585										1	1			
	663586												1	1	1

ITEM NO.	PART #	DESCRIPTION	Q5RD-024K	QQ5RD-024K	Q5RD-030K	QQ5RD-030K	Q5RD-036K	QQ5RD-036K	Q5RD-042K	QQ5RD-042K	Q5RD-048K	QQ5RD-048K	Q5RD-060K	QQ5RD-060K
			920131	920131G	920132	920132G	920133	920133G	920134	920134G	920135	920135G	920136	920136G
22	663580	OUTDOOR DISTRIBUTOR	1	1										
	663581				1	1								
	663582						1	1	1	1				
	663584										1	1		
	663609												1	1
23	664194	CONNECT, SWIVEL	2	2	2	2	2	2	2	2	2	2	2	
24	262970	FOOT,BLOWER	1	1	1	1	1	1	1	1	1	1	1	
25	621829	BLOWER MOTOR	1	1										
	622212				1	1								
	622173						1	1						
	622174								1	1	1	1	1	1
26	667294	BLOWER WHEEL	1	1	1	1								
	667037						1	1	1	1	1	1	1	
27	D03632R	EVAP. COIL	1	1										
	285231R				1	1								
	D03634R						1	1	1	1				
	2A4311R										1	1		
	2A9661R												1	1
28	M0020979	TOP COIL COVER	1	1										
	M0020990				1	1	1	1	1	1				
	M0042728										1	1		
	2B1001											1	1	
29	M0020978	BOTTOM COIL COVER	1	1	1	1	1	1	1	1				
	M0042727										1	1		
	2B1031											1	1	
30	D03340	BLWR COVER BOX	1	1	1	1	1	1	1	1	1	1		
31	D03350	BLWR TRANS. BOX	1	1	1	1	1	1	1	1	1	1		
32	D03462BR	REAR PANEL ASSEMBLY	1	1										
	D03463BR										1	1		
	D03465BR						1	1	1	1				
	D03466BR				1	1								
	D03469BR												1	1
33	D03521BR	BLOWER PANEL ASSEMBLY	1	1										
	D03523BR				1	1	1	1	1	1				
	D03524BR										1	1		
	D03525BR												1	1
34	D04361R	CORNER PANEL	1	1										
	D04363R				1	1	1	1	1	1				
	D04364R										1	1		
	D04365R												1	1
35	D03430	BOTTOM PAN ASSY.	1	1	1	1	1	1	1	1	1	1		
36	271791	CONTROL PANEL	1	1										
	271793				1	1	1	1	1	1				
	271794										1	1		
	271795												1	1
37	621931	BLOWER RELAY	1	1	1	1								
	622180						1	1	1	1	1	1	1	
38	621709	TRANSFORMER	1	1	1	1	1	1	1	1	1	1		
39	621661	CONTACTOR	1	1	1	1	1	1						
	621662								1	1	1	1	1	
40	622132	CAPACITR, BLOW MTR	1	1	1	1								
41	620763	CAPACITOR, DUAL	1	1	1	1								
	621635						1	1						
	621153								1	1				
	621944										1	1	1	1

ITEM NO.	PART #	DESCRIPTION	Q5RD-024K	Q05RD-024K	Q5RD-030K	Q05RD-030K	Q5RD-036K	Q05RD-036K	Q5RD-042K	Q05RD-042K	Q5RD-048K	Q05RD-048K	Q5RD-060K	Q05RD-060K
			920131	920131G	920132	920132G	920133	920133G	920134	920134G	920135	920135G	920136	920136G
42	624656	DEFROST BOARD	1	1	1	1	1	1	1	1	1	1	1	1
43	275291	TOP PAN GRILL CAP	1		1		1		1		1		1	
44	D02871R	CONTROL BOX COVER	1	1										
	D02873R				1	1	1	1	1	1				
	D02874R										1	1		
	D02875R												1	1
45	D02891R	COVER, COMPRESSOR	1	1										
	D02893R				1	1	1	1	1	1				
	D02894R										1	1		
	D02895R												1	1
46	D03655R	CONDENSER COIL, FORMED					1	1	1	1				
	D03656R		1	1										
	D03657R				1	1								
	288201R										1	1		
	2A9681R												1	1
47	917206	REPL. HAIL GUARD KIT	1	1	1	1	1	1	1	1	1	1	1	
48	D09331R	CONDENSER GRILL, FORMED	1	1										
	D09333R				1	1								
	D09334R						1	1	1	1				
	290281R										1	1		
	2A8156R												1	1
49	D09991R	CORNER POST	2	2										
	D09993R				2	2	2	2	2	2				
	D09995R										2	2		
	D09999R												2	2
50	250101	DUCT COLLAR 12"	2	2	1	1	1	1	1	1	1	1	1	1
	250102	DUCT COLLAR 14"			1	1	1	1	1	1	1	1	1	1
51	662103	CORE, CHARGING PORT	2	2	2	2	2	2	2	2	2	2	2	2
52	663812	ACCESS FITTING	2	2	2	2	2	2	2	2	2	2	2	2
53	669762	FILTER DRIER, BIFLOW	1	1	1	1	1	1	1	1	1	1	1	1
54	664329	HI-FLOW PORT	2	2	2	2	2	2	2	2	2	2	2	2
55	664331	HI-FLOW CORE	2	2	2	2	2	2	2	2	2	2	2	2
56	600400	COMPRESSOR BOLT	4	4	4	4	4	4	4	4	4	4	4	4
57	664530	COMPRESSOR GROMMET	4	4	4	4	4	4	4	4	4	4	4	4
58	920516	SET OF WIRES	1		1									
	920517			1		1								
	920518						1		1		1		1	
	920519							1		1		1		1
59	626488	DEFROST SENSOR	1	1	1	1	1	1	1	1	1	1	1	1
60	632401	HI PRESSURE SWITCH	1	1	1	1	1	1	1	1	1	1	1	1
	632393	LOW PRESSURE SWITCH	1		1		1		1		1		1	
61	903598	PAINT, TOUCH-UP	1	1	1	1	1	1	1	1	1	1	1	1
62	2A2201	STRAP, FILTER/DRIER	1	1	1	1	1	1	1	1	1	1	1	1
63	689514	WIRE GROMMET	1	1	1	1	1	1	1	1	1	1	1	1
64	2B1061	HEADER SIDE COVER (NOT SHOWN)											1	1
65	2B3341	HEADER SIDE COVER (NOT SHOWN)											1	1

